



CRYSTAL SIGNATURE  
CRYSTAL SIGNATURE

DATE	
PROJECT	
TYPE	
NOTE	
PREPARED BY	

**CLP-SL-M-85-4**

**Clam Shell for Pole**

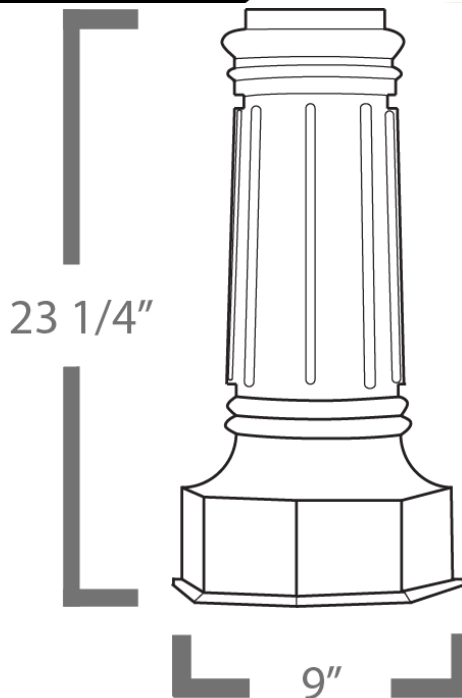


This base is ideal for traditional and contemporary environments. It is constructed with robust cast aluminum for guaranteed durability. The CLP-SL-M-85-4 is built with an octagonal design in the lower section. To add to the design, this base is also sculptured with a fluted column waist.

**Finish Options**

- BZ- BRONZE
- GRY- GRAY
- BLK- BLACK
- WH- WHITE
- CUS- CUSTOM

**dimensions**



# Ordering Guide

CLP-SL-M-85-4

CS3R

BZ

**A.**

**B.**

**C.**

<b>A. Item Number</b>	CLP-SL-M-85-4
<b>B. Clam Shell</b>	CS3R– Clam Shell 3” Round Pole CS4R– Clam Shell 4” Round Pole CS5R– Clam Shell 5” Round Pole
<b>C. Finish</b>	WH-WHITE <b>BZ-BRONZE</b> GR-GRAY BLK-BLACK CUS-CUSTOM