



CRYSTAL SIGNATURE  
CRYSTAL SIGNATURE

DATE	
PROJECT	
TYPE	
NOTE	
PREPARED BY	

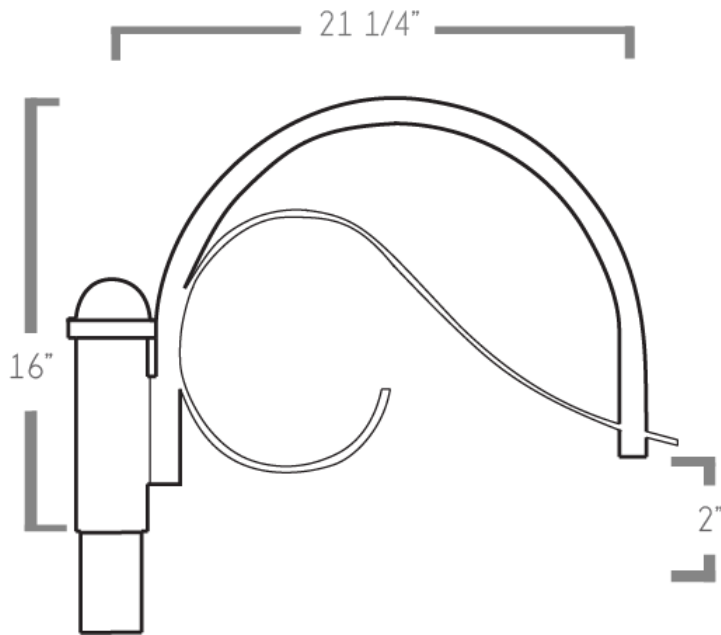
**CLA-SL-MS-M02**

**Post Arm**



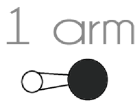
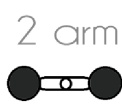

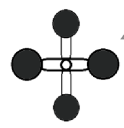
The CLA-SL-MS-M02 is best suitable for pendant fixtures. It accommodates up to (4) pendant luminaires. This post arm is built with aluminum cast material for guaranteed durability.

**dimensions**



# ordering guide

Example: CLP-SL-MS-M02-POST-1-BZ

CLP-SL-MS-M02	PENDANT	1	BZ	
A.	B.	C.	D.	
<b>A. Item Number</b>	CLP-SL-MS-M02			
<b>B. Post Arm Orientation</b>	<ul style="list-style-type: none"> <li>PENDANT</li> </ul>			
<b>C. Number of Arm Configurations</b>	1 arm 	2 arm 	 3 arm	 4 arm
<b>D. Finish</b>	BZ- BRONZE GRY- GRAY BLK- BLACK WH- WHITE CUS- CUSTOM			