



CRYSTAL SIGNATURE  
CRYSTAL SIGNATURE

DATE	
PROJECT	
TYPE	
NOTE	
PREPARED BY	

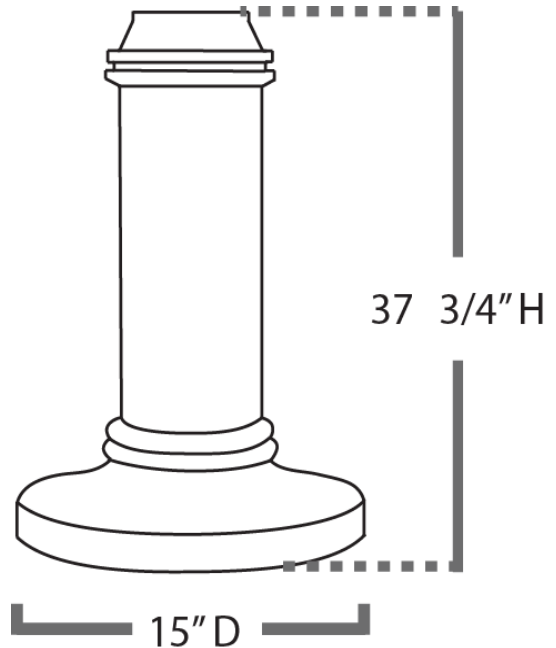
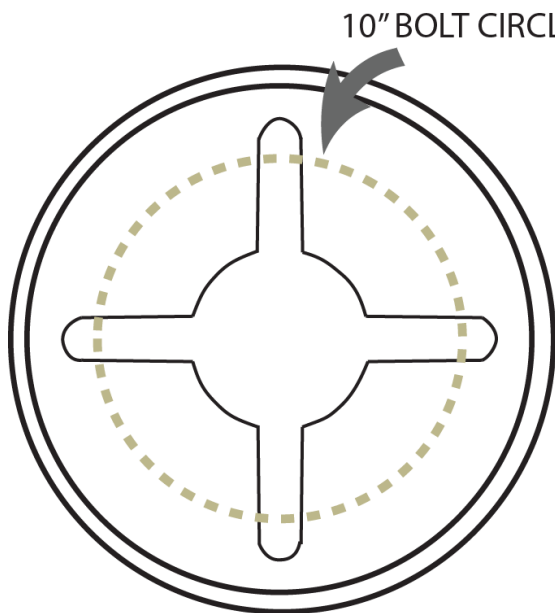
**CLP-SL-X124**

**Base for Pole**

The **CLP-SL-X124** is constructed with cast aluminum. Shafts come in sizes: 4", 5" and custom.



dimensions



# Ordering Guide

Example: CLP-SL-X124-5F10.188-BZ-GL

CLP-SL-X124	5F10.188	BZ	GL
-------------	----------	----	----

**A.**

**B.**

**C.**

**D.**

<b>A. Item Number</b>	<b>CLP-SL-X124</b>
-----------------------	--------------------

	Shaft Diameter	Finished Height	Wall Thickness	Smooth Shaft Order #	Fluted Shaft Order #
	B. Cast Base and Shaft	4"	10'	0.125	CLP-SL-X124-4S10.125
4"		11'	0.125	CLP-SL-X124-4S11.125	
4"		12'	0.125	CLP-SL-X124-4S12.125	
4"		12'	0.188	CLP-SL-X124-4S12.188	CLP-SL-X124-4F12.188
4"		13'	0.188	CLP-SL-X124-4S13.188	CLP-SL-X124-4F13.188
4"		14'	0.188	CLP-SL-X124-4S14.188	CLP-SL-X124-4F14.188
5"		10'	0.125	CLP-SL-X124-5S10.125	
5"		11'	0.125	CLP-SL-X124-5S11.125	
5"		12'	0.125	CLP-SL-X124-5S12.125	
5"		13'	0.125	CLP-SL-X124-5S13.125	
5"		14'	0.125	CLP-SL-X124-5S14.125	
5"		15'	0.125	CLP-SL-X124-5S15.125	
5"		16'	0.125	CLP-SL-X124-5S16.125	
5"		10'	0.188	CLP-SL-X124-5S10.188	CLP-SL-X124-5F10.188
5"		11'	0.188	CLP-SL-X124-5S11.188	CLP-SL-X124-5F11.188
5"		12'	0.188	CLP-SL-X124-5S12.188	CLP-SL-X124-5F12.188
5"		13'	0.188	CLP-SL-X124-5S13.188	CLP-SL-X124-5F13.188
5"		14'	0.188	CLP-SL-X124-5S14.188	CLP-SL-X124-5F14.188
5"		15'	0.188	CLP-SL-X124-5S15.188	CLP-SL-X124-5F15.188
5"		16'	0.188	CLP-SL-X124-5S16.188	CLP-SL-X124-5F16.188

<b>C. Finish</b>	<b>BZ- BRONZE</b> GRY- GRAY BLK- BLACK WH- WHITE CUS- CUSTOM
------------------	--

<b>D. Options</b>	<b>GL- GROUND LUG</b>
-------------------	-----------------------