



CRYSTAL SIGNATURE
CRYSTAL SIGNATURE

DATE	
PROJECT	
TYPE	
NOTE	
PREPARED BY	

CLP-SL-M-9

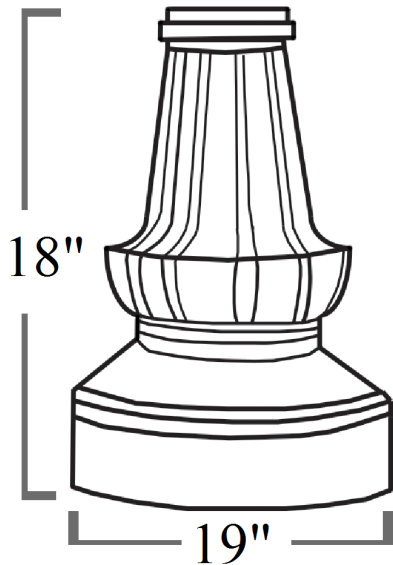
Base for Pole

This base is suitable for traditional and contemporary environments. It is constructed with robust cast aluminum for guaranteed durability. The **CLB-SL-M-9** is designed with detailed curvature. The sculptured curved flutes create an elegant and sophisticated look that will upgrade the appearance of any ambience.

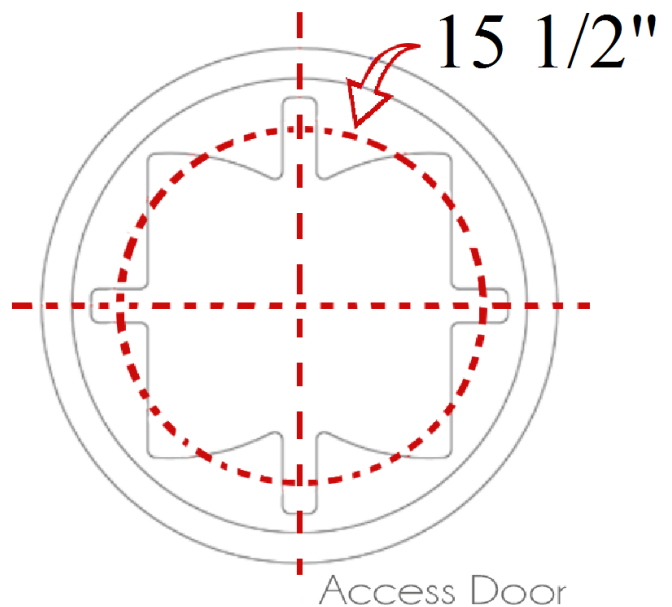


BC: 15 1/2"

dimensions



BC: 15 1/2"



Ordering Guide

Example: CLP-SL-M-9-4F10.188-BZ-GL

CLP-SL-M-9	4F10.188	BZ	GL
------------	----------	----	----

A.

B.

C.

D.

A. Item Number	CLP-SL-M-9
-----------------------	------------

B. Cast Base & Shaft	Shaft Diameter	Finished Height	Wall Thickness	Smooth Shaft Order #	Flutes Shaft Order #
		3"	8'	0.125	CLP-SL-M-9-3S8.125
	3"	9'	0.125	CLP-SL-M-9-3S9.125	CLP-SL-M-9-3F9.125
	3"	10'	0.125	CLP-SL-M-9-3S10.125	
	3"	10'	0.188	CLP-SL-M-9-3S10.188	
	3"	11'	0.188	CLP-SL-M-9-3S11.188	
	3"	12'	0.188	CLP-SL-M-9-3S12.188	
	4"	10'	0.125	CLP-SL-M-9-4S10.125	
	4"	11'	0.125	CLP-SL-M-9-4S11.125	
	4"	12'	0.125	CLP-SL-M-9-4S12.125	
	4"	13'	0.125	CLP-SL-M-9-4S13.125	
	4"	14'	0.125	CLP-SL-M-9-4S14.125	
	4"	10'	0.188		CLP-SL-M-9-4F10.188
	4"	11'	0.188		CLP-SL-M-9-4F11.188
	4"	12'	0.188		CLP-SL-M-9-4F12.188
	4"	13'	0.188		CLP-SL-M-9-4F13.188
	4"	14'	0.188	CLP-SL-M-9-4S14.188	CLP-SL-M-9-4F14.188
	5"	12'	0.125	CLP-SL-M-9-5S12.125	
	5"	13'	0.125	CLP-SL-M-9-5S13.125	
	5"	14'	0.125	CLP-SL-M-9-5S14.125	
	5"	15'	0.125	CLP-SL-M-9-5S15.125	
	5"	16'	0.125	CLP-SL-M-9-5S16.125	
	5"	12'	0.188		CLP-SL-M-9-5F12.188
	5"	13'	0.188		CLP-SL-M-9-5F13.188
	5"	14'	0.188		CLP-SL-M-9-5F14.188
	5"	15'	0.188		CLP-SL-M-9-5F15.188
	5"	16'	0.188	CLP-SL-M-9-5S16.188	CLP-SL-M-9-5F16.188

C. Finish	BZ- BRONZE GRY- GRAY BLK- BLACK WH- WHITE CUS- CUSTOM
------------------	--

D. Options	GL- GROUND LUG
-------------------	-----------------------