



CRYSTAL SIGNATURE  
CRYSTAL SIGNATURE

|             |  |
|-------------|--|
| DATE        |  |
| PROJECT     |  |
| TYPE        |  |
| NOTE        |  |
| PREPARED BY |  |

**CLP-SL-M-9A**

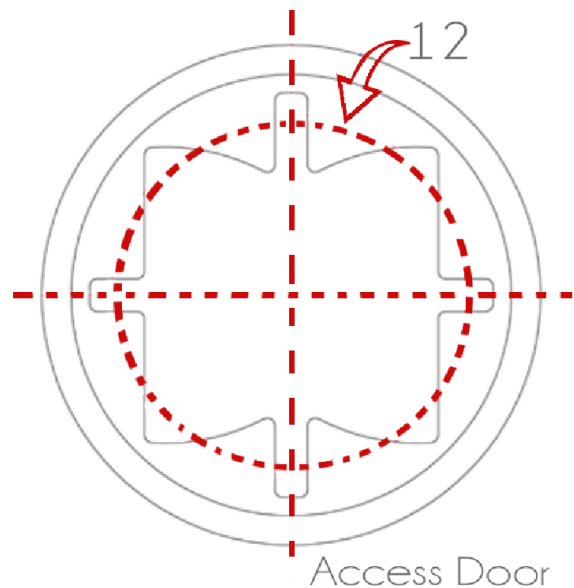
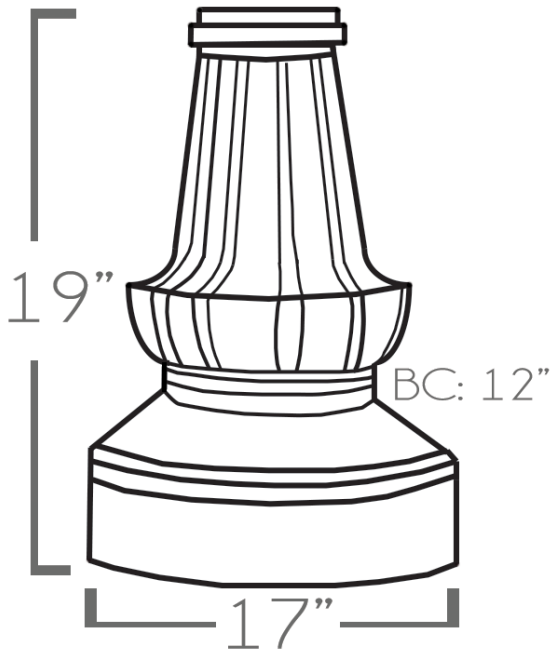
**Base for Pole**

This base is suitable for traditional and contemporary environments. It is constructed with robust cast aluminum for guaranteed durability. The **CLB-SL-M-9A** is designed with detailed curvature. The sculptured curved flutes create an elegant and sophisticated look that will upgrade the appearance of any ambiance.



BC: 12"

dimensions



# Ordering Guide

Example: CLP-SL-M-9A-4F10.188-BZ

|             |           |           |
|-------------|-----------|-----------|
| CLP-SL-M-9A | 4F10.188  | BZ        |
| <b>A.</b>   | <b>B.</b> | <b>C.</b> |

|                       |             |
|-----------------------|-------------|
| <b>A. Item Number</b> | CLP-SL-M-9A |
|-----------------------|-------------|

|    | Shaft Diameter                          | Finished Height | Wall Thickness | Smooth Shaft Order # | Flutes Shaft Order # |
|----|---|-----------------|----------------|----------------------|----------------------|
|    | <b>B. Cast Base<br/>&amp;<br/>Shaft</b> | 3"              | 8'             | 0.125                | CLP-SL-M-9A-3S8.125  |
| 3" |   | 9'              | 0.125          | CLP-SL-M-9A-3S9.125  | CLP-SL-M-9A-3F9.125  |
| 3" |   | 10'             | 0.125          | CLP-SL-M-9A-3S10.125 |                      |
| 3" |   | 10'             | 0.188          | CLP-SL-M-9A-3S10.188 |                      |
| 3" |   | 11'             | 0.188          | CLP-SL-M-9A-3S11.188 |                      |
| 3" |   | 12'             | 0.188          | CLP-SL-M-9A-3S12.188 |                      |
| 4" |   | 10'             | 0.125          | CLP-SL-M-9A-4S10.125 |                      |
| 4" |   | 11'             | 0.125          | CLP-SL-M-9A-4S11.125 |                      |
| 4" |   | 12'             | 0.125          | CLP-SL-M-9A-4S12.125 |                      |
| 4" |   | 13'             | 0.125          | CLP-SL-M-9A-4S13.125 |                      |
| 4" |   | 14'             | 0.125          | CLP-SL-M-9A-4S14.125 |                      |
| 4" |   | 10'             | 0.188          |                      | CLP-SL-M-9A-4F10.188 |
| 4" |   | 11'             | 0.188          |                      | CLP-SL-M-9A-4F11.188 |
| 4" |   | 12'             | 0.188          |                      | CLP-SL-M-9A-4F12.188 |
| 4" |   | 13'             | 0.188          |                      | CLP-SL-M-9A-4F13.188 |
| 4" |   | 14'             | 0.188          | CLP-SL-M-9A-4S14.188 | CLP-SL-M-9A-4F14.188 |
| 5" |   | 12'             | 0.125          | CLP-SL-M-9A-5S12.125 |                      |
| 5" |   | 13'             | 0.125          | CLP-SL-M-9A-5S13.125 |                      |
| 5" |   | 14'             | 0.125          | CLP-SL-M-9A-5S14.125 |                      |
| 5" |   | 15'             | 0.125          | CLP-SL-M-9A-5S15.125 |                      |
| 5" |   | 16'             | 0.125          | CLP-SL-M-9A-5S16.125 |                      |
| 5" |   | 12'             | 0.188          |                      | CLP-SL-M-9A-5F12.188 |
| 5" |   | 13'             | 0.188          |                      | CLP-SL-M-9A-5F13.188 |
| 5" |   | 14'             | 0.188          |                      | CLP-SL-M-9A-5F14.188 |
| 5" |   | 15'             | 0.188          |                      | CLP-SL-M-9A-5F15.188 |
| 5" |   | 16'             | 0.188          | CLP-SL-M-9A-5S16.188 | CLP-SL-M-9A-5F16.188 |

|                  |   |
|------------------|---|
| <b>C. Finish</b> | <p><b>BZ</b>- BRONZE</p> <p>GRY- GRAY</p> <p>BLK- BLACK</p> <p>WH- WHITE</p> <p>CUS- CUSTOM</p> |
|------------------|---|