



CRYSTAL SIGNATURE
CRYSTAL SIGNATURE

DATE	
PROJECT	
TYPE	
NOTE	
PREPARED BY	

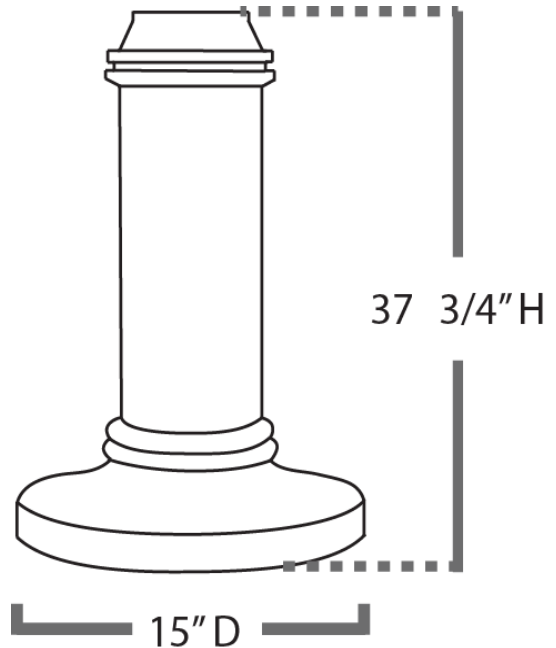
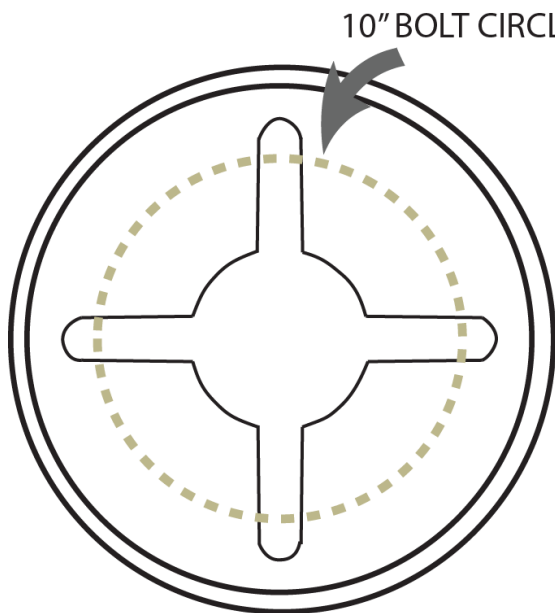
CLP-SL-X124

Base for Pole

The **CLP-SL-X124** is constructed with cast aluminum. Shafts come in sizes: 4", 5" and custom.



dimensions



Ordering Guide

Example: CLP-SL-X124-5F10.188-BZ-GL

CLP-SL-X124	5F10.188	BZ	GL
A.	B.	C.	D.

A. Item Number	CLP-SL-X124
-----------------------	--------------------

B. Cast Base and Shaft	Shaft Diameter	Finished Height	Wall Thickness	Smooth Shaft Order #	Fluted Shaft Order #
	4"	10'	0.125	CLP-SL-X124-4S10.125	CLP-SL-X124-4F10.125
	4"	11'	0.125	CLP-SL-X124-4S11.125	CLP-SL-X124-4F11.125
	4"	12'	0.125	CLP-SL-X124-4S12.125	
	4"	12'	0.188	CLP-SL-X124-4S12.188	
	4"	13'	0.188	CLP-SL-X124-4S13.188	
	4"	14'	0.188	CLP-SL-X124-4S14.188	
	5"	10'	0.125	CLP-SL-X124-5S10.125	
	5"	11'	0.125	CLP-SL-X124-5S11.125	
	5"	12'	0.125	CLP-SL-X124-5S12.125	
	5"	13'	0.125	CLP-SL-X124-5S13.125	
	5"	14'	0.125	CLP-SL-X124-5S14.125	
	5"	15'	0.125	CLP-SL-X124-5S15.125	
	5"	16'	0.125	CLP-SL-X124-5S16.125	
	5"	10'	0.188		CLP-SL-X124-5F10.188
	5"	11'	0.188		CLP-SL-X124-5F11.188
	5"	12'	0.188		CLP-SL-X124-5F12.188
	5"	13'	0.188		CLP-SL-X124-5F13.188
	5"	14'	0.188	CLP-SL-X124-5S14.188	CLP-SL-X124-5F14.188
	5"	15'	0.188	CLP-SL-X124-5S15.188	CLP-SL-X124-5F15.188
5"	16'	0.188	CLP-SL-X124-5S16.188	CLP-SL-X124-5F16.188	

C. Finish	BZ- BRONZE GRY- GRAY BLK- BLACK WH- WHITE CUS- CUSTOM
------------------	--

D. Options	GL- GROUND LUG
-------------------	-----------------------