



CRYSTAL SIGNATURE  
CRYSTAL SIGNATURE

DATE	
PROJECT	
TYPE	
NOTE	
PREPARED BY	

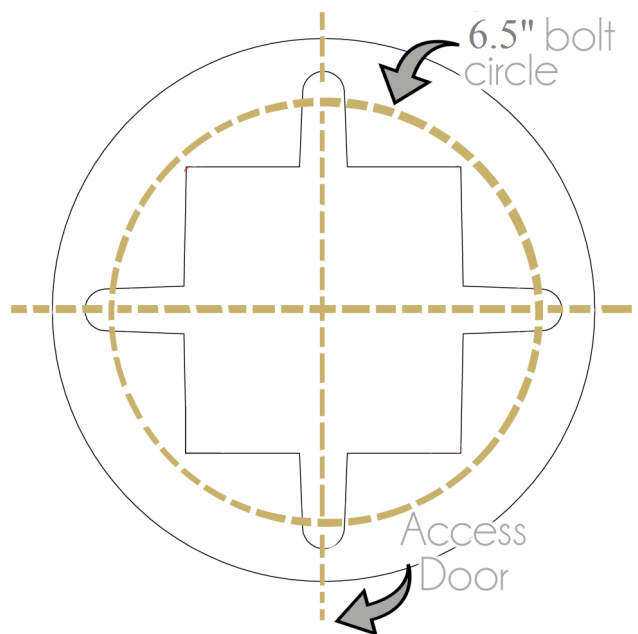
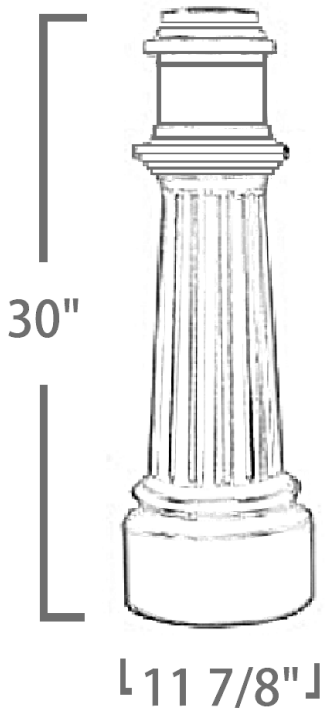
**CLP-SL-M-18**

**Base for Pole**



The **CLP-SL-M-18** is built with cast aluminum to ensure durability. Shaft diameter sizes are available in: 3" and 4" Diameter with smooth or fluted shafts.

**dimensions**



# Ordering Guide

Example: CLP-SL-M-18-4F10.188-BZ

CLP-SL-M-18	4F10.188	BZ
<b>A.</b>	<b>B.</b>	<b>C.</b>

<b>A. Item Number</b>	CLP-SL-M-18
-----------------------	-------------

<b>B. Cast Base &amp; Shaft</b>	Shaft Diameter	Finished Height	Wall Thickness	Smooth Shaft Order #	Flutes Shaft Order #
	3"	8'	0.125	CLP-SL-M-18-3S8.125	CLP-SL-M-18-3F8.125
	3"	9'	0.125	CLP-SL-M-18-3S9.125	CLP-SL-M-18-3F9.125
	3"	10'	0.125	CLP-SL-M-18-3S10.125	CLP-SL-M-18-3F10.125
	3"	10'	0.188	CLP-SL-M-18-3S10.188	CLP-SL-M-18-3F10.188
	3"	11'	0.188	CLP-SL-M-18-3S11.188	CLP-SL-M-18-3F11.188
	3"	12'	0.188	CLP-SL-M-18-3S12.188	CLP-SL-M-18-3F12.188
	4"	10'	0.125	CLP-SL-M-18-4S10.125	CLP-SL-M-18-4F10.125
	4"	11'	0.125	CLP-SL-M-18-4S11.125	CLP-SL-M-18-4F11.125
	4"	12'	0.125	CLP-SL-M-18-4S12.125	CLP-SL-M-18-4F12.125
	4"	13'	0.125	CLP-SL-M-18-4S13.125	CLP-SL-M-18-4F13.125
	4"	14'	0.125	CLP-SL-M-18-4S14.125	CLP-SL-M-18-4F14.125
	4"	10'	0.188	CLP-SL-M-18-4S10.188	CLP-SL-M-18-4F10.188
	4"	11'	0.188	CLP-SL-M-18-4S11.188	CLP-SL-M-18-4F11.188
	4"	12'	0.188	CLP-SL-M-18-4S12.188	CLP-SL-M-18-4F12.188
	4"	13'	0.188	CLP-SL-M-18-4S13.188	CLP-SL-M-18-4F13.188
	4"	14'	0.188	CLP-SL-M-18-4S14.188	CLP-SL-M-18-4F14.188

<b>C. Finish</b>	<p><b>BZ</b>- BRONZE</p> <p><b>GRY</b>- GRAY</p> <p><b>BLK</b>- BLACK</p> <p><b>WH</b>- WHITE</p> <p><b>CUS</b>- CUSTOM</p>
------------------	---