



CRYSTAL SIGNATURE
CRYSTAL SIGNATURE

DATE	
PROJECT	
TYPE	
NOTE	
PREPARED BY	

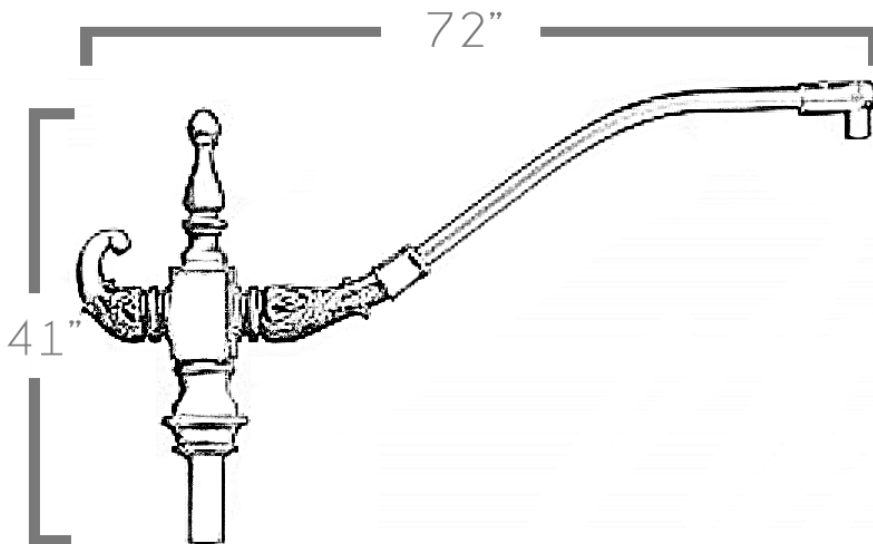
CLA-SL-M-160

Post Arm

The **CLA-SL-M-160** is constructed of cast aluminum. It is built with a decorative arm tenon and extruded aluminum tubing for pendant fixture.



dimensions



Ordering Guide

Example: CLA-SL-M-160-PENDANT-1-BZ

CLA-SL-M-160	PENDANT	1	BZ
--------------	---------	---	----

A.

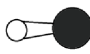

B.

C.

D.

A. Item Number	CLA-SL-M-160
-----------------------	--------------

B. Post Arm Orientation	<ul style="list-style-type: none"> PENDANT
--------------------------------	---

C. Number of Arm Configurations	1 arm 	2 arm 
--	--	--

D. Finish	<p>BZ- BRONZE</p> <p>GRY- GRAY</p> <p>BLK- BLACK</p> <p>WH- WHITE</p> <p>CUS- CUSTOM</p>
------------------	--