



CRYSTAL SIGNATURE  
CRYSTAL SIGNATURE

DATE	
PROJECT	
TYPE	
NOTE	
PREPARED BY	

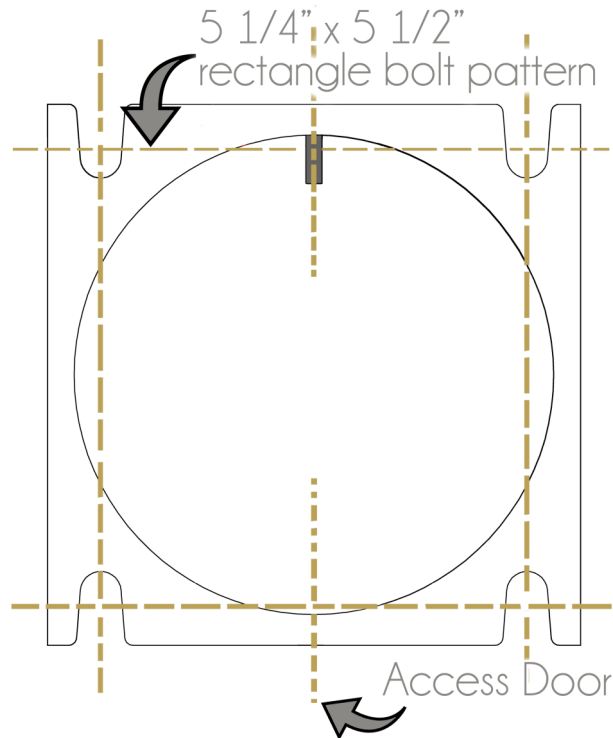
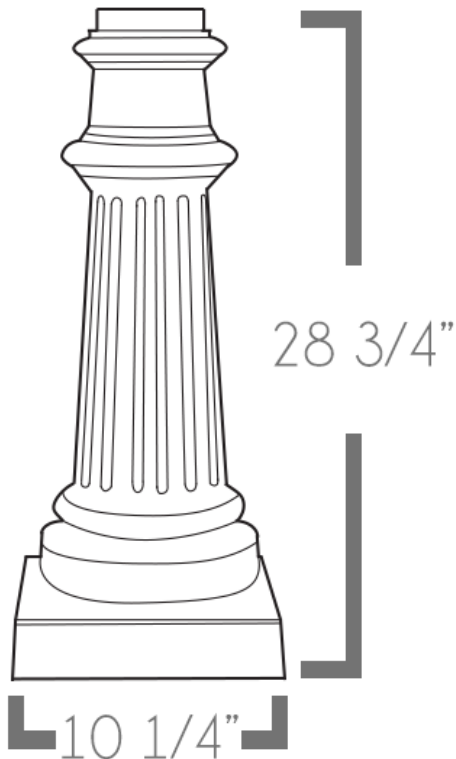
**CLP-SL-X-122**

**Base for Pole**



The **CLP-SL-X-122** is a tall decorative fluted base built with cast aluminum. It is also constructed with an aluminum shaft. The shaft is available in the following sizes: 3", 4" and custom.

dimensions



# Ordering Guide

Example: CLP-SL-X-122-4F8.188-BZ-GL

CLP-SL-X-122	4F8.188	BZ	GL
<b>A.</b>	<b>B.</b>	<b>C.</b>	<b>D.</b>

<b>A. Item Number</b>	<b>CLP-SL-X-122</b>
-----------------------	---------------------

<b>B. Cast Base and Shaft</b>	Shaft Diameter	Finished Height	Wall Thickness	Smooth Shaft Order #	Fluted Shaft Order #
	3"	6'	0.125	CLP-SL-X-122-3S6.125	CLP-SL-X-122-3S6.125
	3"	7'	0.125	CLP-SL-X-122-3S7.125	CLP-SL-X-122-3S7.125
	3"	8'	0.125	CLP-SL-X-122-3S8.125	CLP-SL-X-122-3S8.125
	3"	9'	0.125	CLP-SL-X-122-3S9.125	
	3"	10'	0.125	CLP-SL-X-122-3S10.125	
	3"	10'	0.188	CLP-SL-X-122-3S10.188	
	3"	11'	0.188	CLP-SL-X-122-3S11.188	
	3"	12'	0.188	CLP-SL-X-122-3S12.188	
	4"	8'	0.125	CLP-SL-X-122-4S6.125	
	4"	9'	0.125	CLP-SL-X-122-4S9.125	
	4"	10'	0.125	CLP-SL-X-122-4S10.125	
	4"	8'	0.188		CLP-SL-X-122-4F8.188
	4"	9'	0.188		CLP-SL-X-122-4F9.188
	4"	10'	0.188		CLP-SL-X-122-4F10.188
	4"	11'	0.188		CLP-SL-X-122-4F11.188
	4"	12'	0.188	CLP-SL-X-122-4S12.188	CLP-SL-X-122-4F12.188
4"	13'	0.188	CLP-SL-X-122-4S13.188	CLP-SL-X-122-4F13.188	
4"	14'	0.188	CLP-SL-X-122-4S14.188	CLP-SL-X-122-4F14.188	

<b>C. Finish</b>	<b>BZ- BRONZE</b> GRY- GRAY BLK- BLACK WH- WHITE CUS- CUSTOM
------------------	--

<b>D. Options</b>	<b>GL- GROUND LUG</b>
-------------------	-----------------------