



CRYSTAL SIGNATURE  
CRYSTAL SIGNATURE

DATE	
PROJECT	
TYPE	
NOTE	
PREPARED BY	

**CLP-SL-M-51**

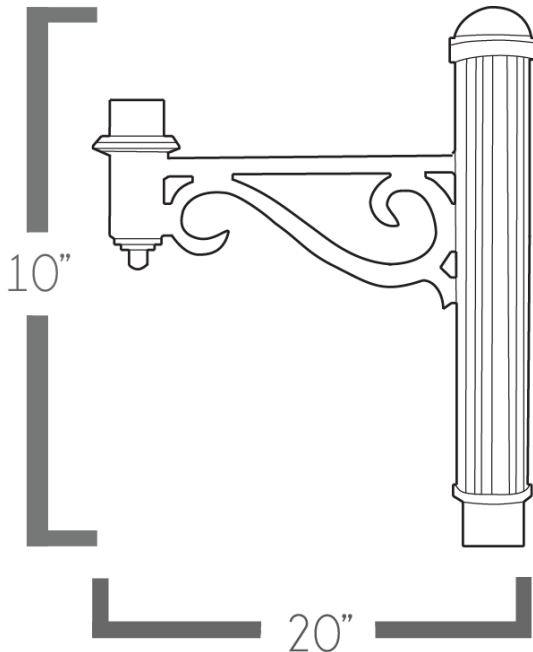
**Post Arm**



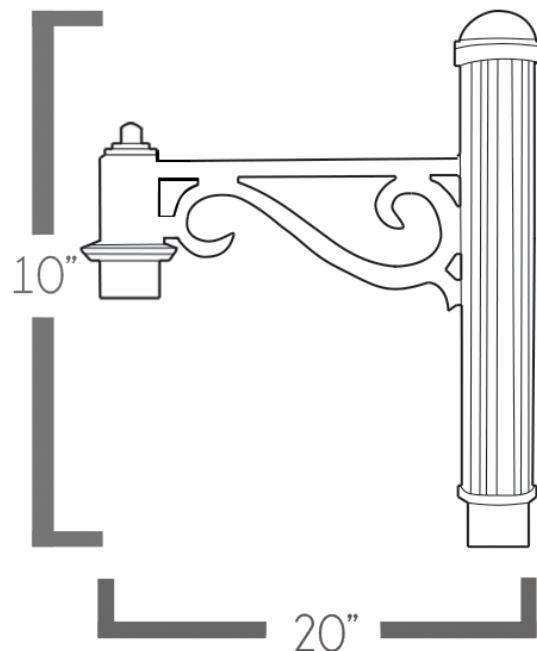
The **CLA-SL-M-51** is a post arm made from extruded aluminum tubing. The versatility of this post arm makes it convenient for alternative installations. It occupies a decorative cast aluminum scrolling for post. Moreover, this post arm is also utilized as a pendant top fixture.

**dimensions**

Post


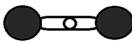

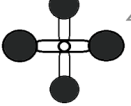


Pendant



# Ordering Guide

Example: CLP-SL-M-51-POST-1-BZ

CLP-SL-M-51	POST	1	BZ	
<b>A.</b>	<b>B.</b>	<b>C.</b>	<b>D.</b>	
<b>A. Item Number</b>	CLP-SL-M-51			
<b>B. Post Arm Orientation</b>	<ul style="list-style-type: none"> <li>• POST</li> <li>• PENDANT</li> </ul>			
<b>C. Number of Arm Configurations</b>	1 arm 	2 arm 	3 arm 	4 arm 
<b>D. Finish</b>	BZ- BRONZE GRY- GRAY BLK- BLACK WH- WHITE CUS- CUSTOM			