



CRYSTAL SIGNATURE
CRYSTAL SIGNATURE

DATE	
PROJECT	
TYPE	
NOTE	
PREPARED BY	

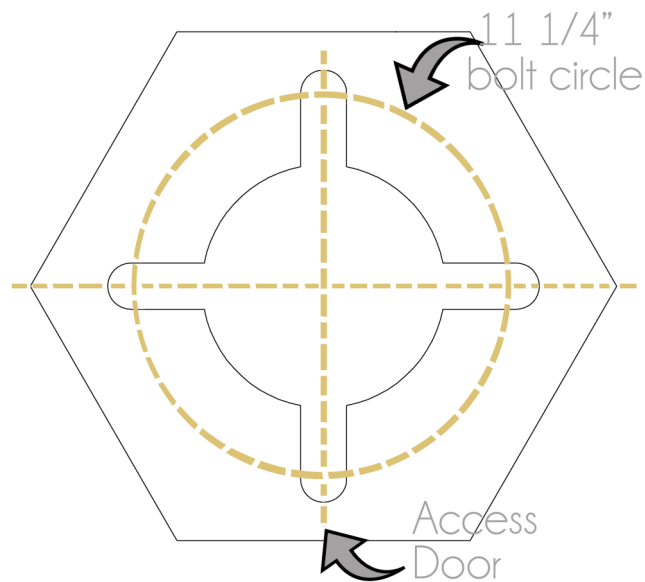
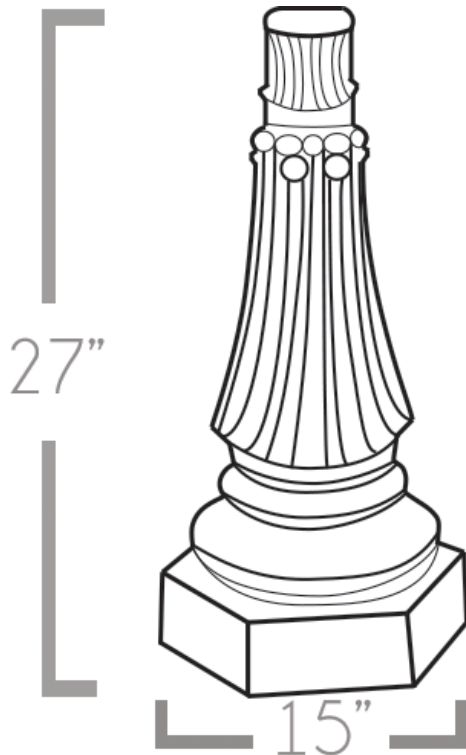
CLP-SL-M-13

Base for Pole



The hexagonal **CLP-SL-M-13** is built with cast aluminum. It is constructed with an embellished, pleated design. Shafts come in sizes: 3", 4" and custom.

dimensions



Ordering Guide

Example: CLP-SL-M-13-4F10.188-BZ-GL

CLP-SL-M-13	4F10.188	BZ	GL
A.	B.	C.	D.

A. Item Number	CLP-SL-M-13
-----------------------	--------------------

B. Cast Base and Shaft	Shaft Diameter	Finished Height	Wall Thickness	Smooth Shaft Order #	Fluted Shaft Order #
	3"	8'	0.125	CLP-SL-M-13-3S8.125	CLP-SL-M-13-3F8.125
	3"	9'	0.125	CLP-SL-M-13-3S9.125	CLP-SL-M-13-3F9.125
	3"	10'	0.125	CLP-SL-M-13-3S10.125	
	3"	10'	0.188	CLP-SL-M-13-3S10.188	
	3"	11'	0.188	CLP-SL-M-13-3S11.188	
	3"	12'	0.188	CLP-SL-M-13-3S12.188	
	4"	10'	0.125	CLP-SL-M-13-4S10.125	
	4"	11'	0.125	CLP-SL-M-13-4S11.125	
	4"	12'	0.125	CLP-SL-M-13-4S12.125	
	4"	13'	0.125	CLP-SL-M-13-4S13.125	
	4"	14'	0.125	CLP-SL-M-13-4S14.125	
	4"	10'	0.188		CLP-SL-M-13-4F10.188
	4"	11'	0.188		CLP-SL-M-13-4F11.188
	4"	12'	0.188		CLP-SL-M-13-4F12.188
	4"	13'	0.188		CLP-SL-M-13-4F13.188
4"	14'	0.188	CLP-SL-M-13-4S14.188	CLP-SL-M-13-4F14.188	

C. Finish	BZ- BRONZE GRY- GRAY BLK- BLACK WH- WHITE CUS- CUSTOM
------------------	--

D. Options	GL- GROUND LUG
-------------------	-----------------------