



CRYSTAL SIGNATURE
CRYSTAL SIGNATURE

| | |
|-------------|--|
| DATE | |
| PROJECT | |
| TYPE | |
| NOTE | |
| PREPARED BY | |

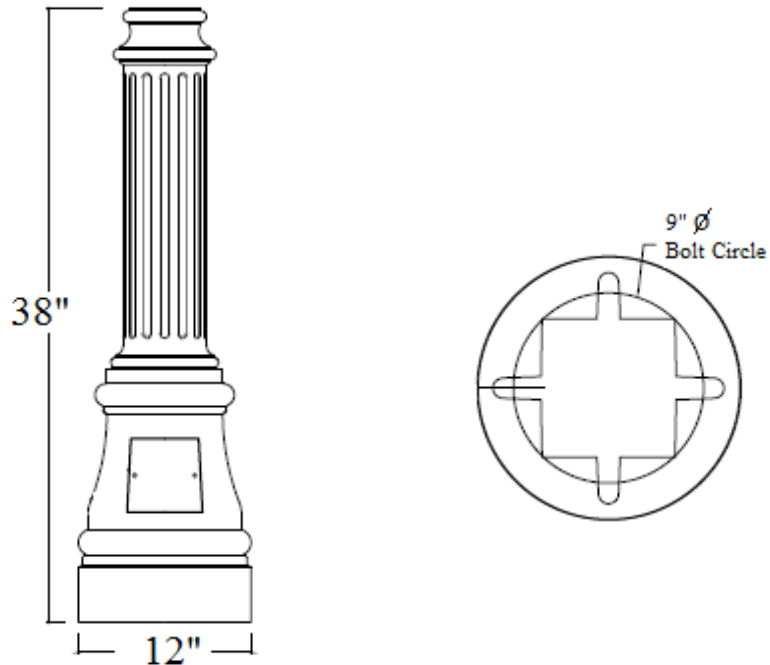
CLP-SL-M-40

Base for Pole



The **CLP-SL-M-40** is built with cast aluminum to ensure durability. Shaft diameter sizes are available in: 3" and 4" Diameter with smooth or fluted shafts.

dimensions



Ordering Guide

Example: CLP-SL-M-40-4F10.188-BZ

| | | |
|-------------|-----------|-----------|
| CLP-SL-M-40 | 4F10.188 | BZ |
| A. | B. | C. |

| | |
|-----------------------|-------------|
| A. Item Number | CLP-SL-M-40 |
|-----------------------|-------------|

| B. Cast Base & Shaft | Shaft Diameter | Finished Height | Wall Thickness | Smooth Shaft Order # | Flutes Shaft Order # |
|---------------------------------|----------------|-----------------|----------------|----------------------|----------------------|
| | 3" | 8' | 0.125 | CLP-SL-M-40-3S8.125 | CLP-SL-M-40-3F8.125 |
| | 3" | 10' | 0.125 | CLP-SL-M-40-3S10.125 | CLP-SL-M-40-3F10.125 |
| | 3" | 12' | 0.125 | CLP-SL-M-40-3S12.125 | CLP-SL-M-40-3F12.125 |
| | 3" | 13' | 0.188 | CLP-SL-M-40-3S13.188 | CLP-SL-M-40-3F13.188 |
| | 3" | 14' | 0.188 | CLP-SL-M-40-3S14.188 | CLP-SL-M-40-3F14.188 |
| | 3" | 15' | 0.188 | CLP-SL-M-40-3S15.188 | CLP-SL-M-40-3F15.188 |
| | 4" | 8' | 0.125 | CLP-SL-M-40-4S8.125 | CLP-SL-M-40-4F8.125 |
| | 4" | 10' | 0.125 | CLP-SL-M-40-4S10.125 | CLP-SL-M-40-4F10.125 |
| | 4" | 12' | 0.125 | CLP-SL-M-40-4S12.125 | CLP-SL-M-40-4F12.125 |
| | 4" | 14' | 0.125 | CLP-SL-M-40-4S14.125 | CLP-SL-M-40-4F14.125 |
| | 4" | 15' | 0.188 | CLP-SL-M-40-4S15.188 | CLP-SL-M-40-4F15.188 |
| | 4" | 16' | 0.188 | CLP-SL-M-40-4S16.188 | CLP-SL-M-40-4F16.188 |
| | 4" | 17' | 0.188 | CLP-SL-M-40-4S17.188 | CLP-SL-M-40-4F17.188 |
| | 4" | 18' | 0.188 | CLP-SL-M-40-4S18.188 | CLP-SL-M-40-4F18.188 |

| | |
|------------------|--|
| C. Finish | <p>BZ- BRONZE</p> <p>GRY- GRAY</p> <p>BLK- BLACK</p> <p>WH- WHITE</p> <p>CUS- CUSTOM</p> |
|------------------|--|