



CRYSTAL SIGNATURE
CRYSTAL SIGNATURE

DATE	
PROJECT	
TYPE	
NOTE	
PREPARED BY	

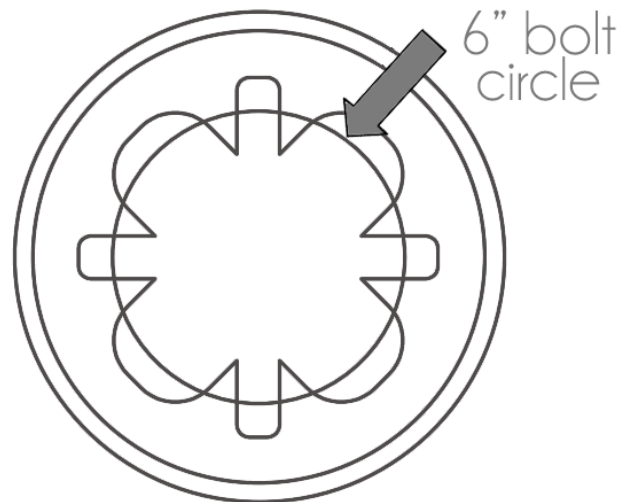
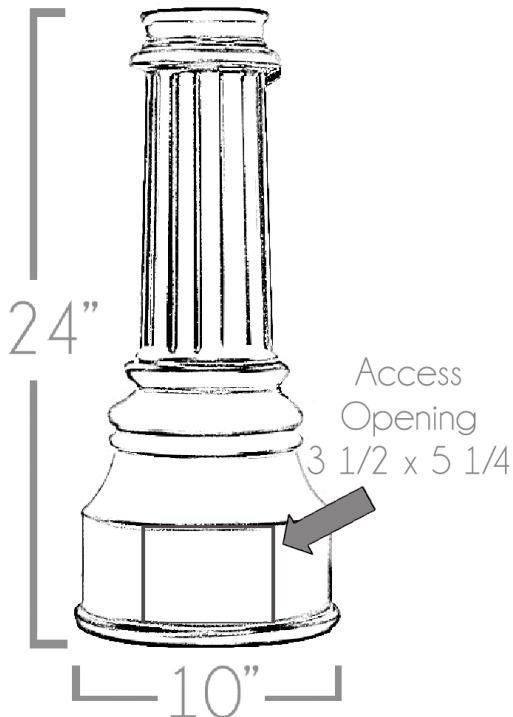
CLP-SL-84-4

Base for Pole



The CLP-SL-84-4 is constructed with cast aluminum. Shafts come in sizes: 4" and custom.

dimensions



Ordering Guide

Example: CLP-SL-84-4-4F10.188-BZ

CLP-SL-84-4	4F10.188	BZ	GL
-------------	----------	----	----

A.

B.

C.

D.

A. Item Number	CLP-SL-84-4
-----------------------	-------------

B. Cast Base and Shaft	Shaft Diameter	Finished Height	Wall Thickness	Smooth Shaft Order #	Fluted Shaft Order #
	4"	8'	0.125	CLP-SL-84-4-4S8.125	
	4"	9'	0.125	CLP-SL-84-4-4S9.125	
	4"	10'	0.125	CLP-SL-84-4-4S10.125	
	4"	11'	0.125	CLP-SL-84-4-4S11.125	
	4"	12'	0.125	CLP-SL-84-4-4S12.125	
	4"	8'	0.188		CLP-SL-84-4-4F8.188
	4"	9'	0.188		CLP-SL-84-4-4F9.188
	4"	10'	0.188		CLP-SL-84-4- 4F10.188
	4"	11'	0.188		CLP-SL-84-4-4F11.188
	4"	12'	0.188	CLP-SL-84-4-4S12.188	CLP-SL-84-4-4F12.188

C. Finish	BZ- BRONZE GRY- GRAY BLK- BLACK WH- WHITE CUS- CUSTOM
------------------	--

D. Options	GL- GROUND LUG
-------------------	-----------------------