



CRYSTAL SIGNATURE
CRYSTAL SIGNATURE

DATE	
PROJECT	
TYPE	
NOTE	
PREPARED BY	

CLP-SL-M-9B

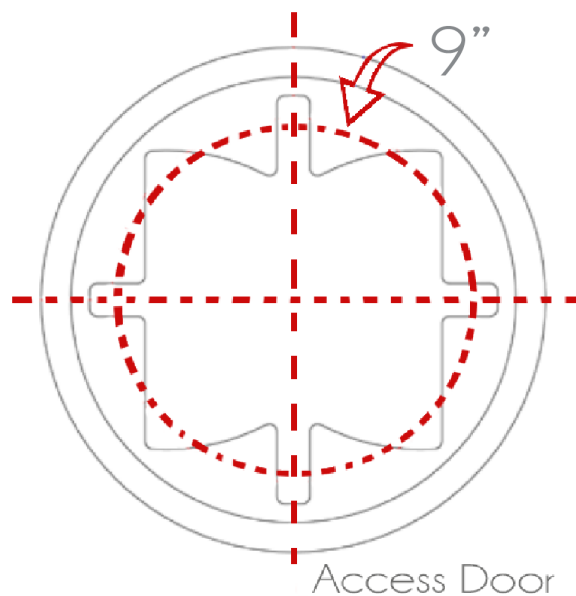
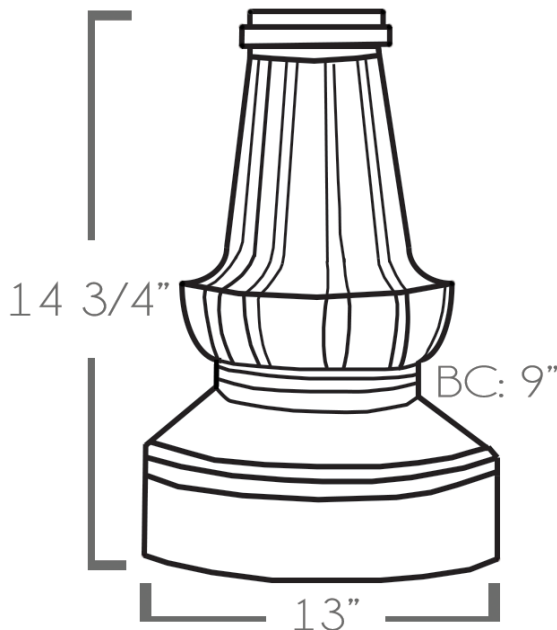
Base for Pole

The **CLB-SL-M-9B** is similar to our base, CLB-SL-M-9A. However, the **CLB-SL-M-9B** works as an alternative due to its smaller dimensions. The **CLB-SL-M-9B** is suitable for traditional and contemporary environments. It is constructed with robust cast aluminum for guaranteed durability. The **CLB-SL-M-9B** is designed with detailed curvature. The sculptured curved flutes create an elegant and sophisticated look that will upgrade the appearance of any ambience.



BC: 9"

dimensions



Ordering Guide

Example: CLP-SL-M-9B-4F10.188-BZ-GL

CLP-SL-M-9B	4F10.188	BZ	GL
-------------	----------	----	----

A.

B.

C.

D.

A. Item Number	CLP-SL-M-9B
-----------------------	-------------

	Shaft Diameter	Finished Height	Wall Thickness	Smooth Shaft Order #	Flutes Shaft Order #
	B. Cast Base & Shaft	3"	8'	0.125	CLP-SL-M-9B-3S8.125
3"		9'	0.125	CLP-SL-M-9B-3S9.125	CLP-SL-M-9B-3F9.125
3"		10'	0.125	CLP-SL-M-9B-3S10.125	
3"		10'	0.188	CLP-SL-M-9B-3S10.188	
3"		11'	0.188	CLP-SL-M-9B-3S11.188	
3"		12'	0.188	CLP-SL-M-9B-3S12.188	
4"		10'	0.125	CLP-SL-M-9B-4S10.125	
4"		11'	0.125	CLP-SL-M-9B-4S11.125	
4"		12'	0.125	CLP-SL-M-9B-4S12.125	
4"		13'	0.125	CLP-SL-M-9B-4S13.125	
4"		14'	0.125	CLP-SL-M-9B-4S14.125	
4"		10'	0.188		CLP-SL-M-9B-4F10.188
4"		11'	0.188		CLP-SL-M-9B-4F11.188
4"		12'	0.188		CLP-SL-M-9B-4F12.188
4"		13'	0.188		CLP-SL-M-9B-4F13.188
4"		14'	0.188	CLP-SL-M-9B-4S14.188	CLP-SL-M-9B-4F14.188
5"		12'	0.125	CLP-SL-M-9B-5S12.125	
5"		13'	0.125	CLP-SL-M-9B-5S13.125	
5"		14'	0.125	CLP-SL-M-9B-5S14.125	
5"		15'	0.125	CLP-SL-M-9B-5S15.125	
5"		16'	0.125	CLP-SL-M-9B-5S16.125	
5"		12'	0.188		CLP-SL-M-9B-5F12.188
5"		13'	0.188		CLP-SL-M-9B-5F13.188
5"		14'	0.188		CLP-SL-M-9B-5F14.188
5"		15'	0.188		CLP-SL-M-9B-5F15.188
5"		16'	0.188	CLP-SL-M-9B-5S16.188	CLP-SL-M-9B-5F16.188

C. Finish	BZ- BRONZE GRY- GRAY BLK- BLACK WH- WHITE CUS- CUSTOM
------------------	--

D. Options	GL- GROUNDBUG
-------------------	----------------------