



CRYSTAL SIGNATURE
CRYSTAL SIGNATURE

DATE	
PROJECT	
TYPE	
NOTE	
PREPARED BY	

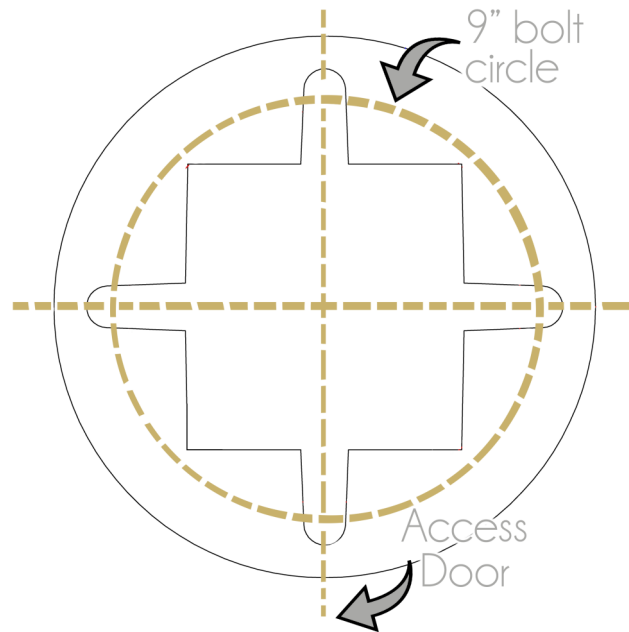
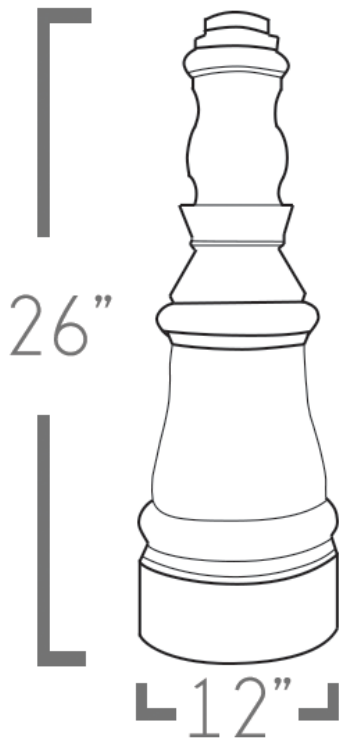
CLP-SL-M-44

Base for Pole



The **CLP-SL-M-44** is designed with a curviform shape. It is built with cast aluminum to ensure durability. Shaft diameter sizes are available in: 3", 4" and custom.

dimensions



Ordering Guide

Example: CLP-SL-M-44-4F10.188-BZ

CLP-SL-M-44	4F9.188	BZ
A.	B.	C.

A. Item Number	CLP-SL-M-44
-----------------------	--------------------

	Shaft Diameter	Finished Height	Wall Thickness	Smooth Shaft Order #	Fluted Shaft Order #
	B. Cast Base and Shaft	3"	8'	0.125	CLP-SL-M-44-3S8.125
3"		9'	0.125	CLP-SL-M-44-3S9.125	
3"		10'	0.188	CLP-SL-M-44-3S10.188	
3"		11'	0.188	CLP-SL-M-44-3S11.188	
3"		12'	0.188	CLP-SL-M-44-3S12.188	
3"		8'	0.125	CLP-SL-M-44-3S8.125	
4"		9'	0.125	CLP-SL-M-44-4S9.125	
4"		10'	0.125	CLP-SL-M-44-4S10.125	
4"		11'	0.125	CLP-SL-M-44-4S11.125	
4"		12'	0.125	CLP-SL-M-44-4S12.125	
4"		8'	0.188		CLP-SL-M-44-4F8.188
4"		9'	0.188		CLP-SL-M-44- 4F9.188
4"		10'	0.188		CLP-SL-M-44-4F10.188
4"		11'	0.188		CLP-SL-M-44-4F11.188
4"		12'	0.188	CLP-SL-M-44-4S12.188	CLP-SL-M-44-4F12.188
4"		13'	0.188	CLP-SL-M-44-4S13.188	CLP-SL-M-44-4F13.188
4"		14'	0.188	CLP-SL-M-44-4S14.188	CLP-SL-M-44-4F14.188

C. Finish	BZ- BRONZE GRY- GRAY BLK- BLACK WH- WHITE CUS- CUSTOM
------------------	--------------------------------------------------------------------------