



CRYSTAL SIGNATURE
CRYSTAL SIGNATURE

| | |
|-------------|--|
| DATE | |
| PROJECT | |
| TYPE | |
| NOTE | |
| PREPARED BY | |

CLP-SL-M-83

Clam Shell for Pole

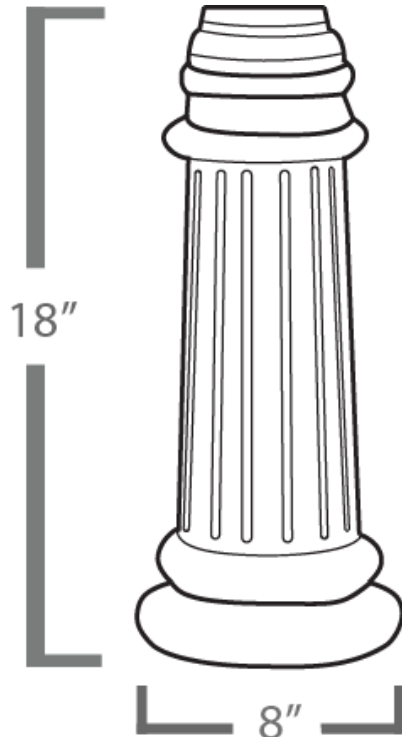


This base is ideal for traditional and contemporary environments. The **CLP-SL-M-83** is designed with a fluted column waist for decorative purposes. It is constructed with robust cast aluminum for guaranteed durability.

Finish Options

- BZ- BRONZE
- GRY- GRAY
- BLK- BLACK
- WH- WHITE
- CUS- CUSTOM

dimensions



Ordering Guide

CLP-SL-M-83

CS3R

BZ

A.

B.

C.

| | |
|-----------------------|--|
| A. Item Number | CLP-SL-M-83 |
| B. Clam Shell | CS3R– Clam Shell 3” Round Pole CS4R– Clam Shell 4” Round Pole CS5R– Clam Shell 5” Round Pole |
| C. Finish | WH-WHITE BZ-BRONZE GR-GRAY BLK-BLACK CUS-CUSTOM |