



CRYSTAL SIGNATURE  
CRYSTAL SIGNATURE

DATE	
PROJECT	
TYPE	
NOTE	
PREPARED BY	

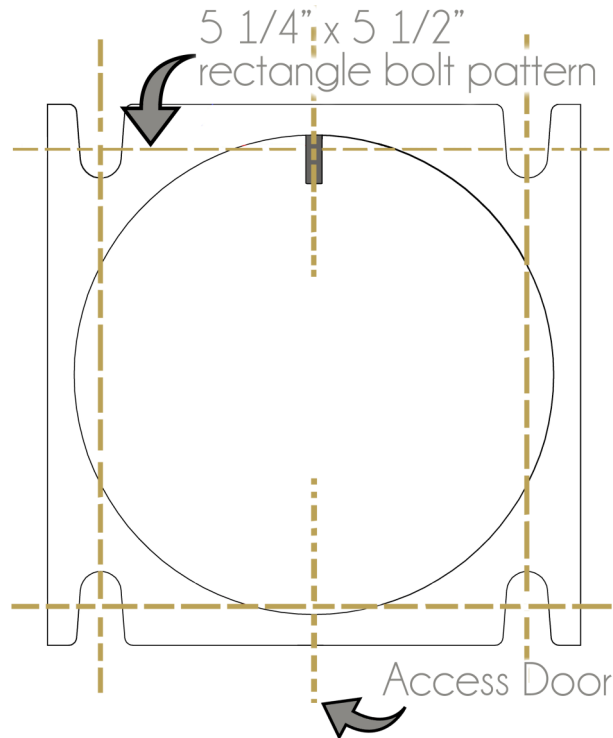
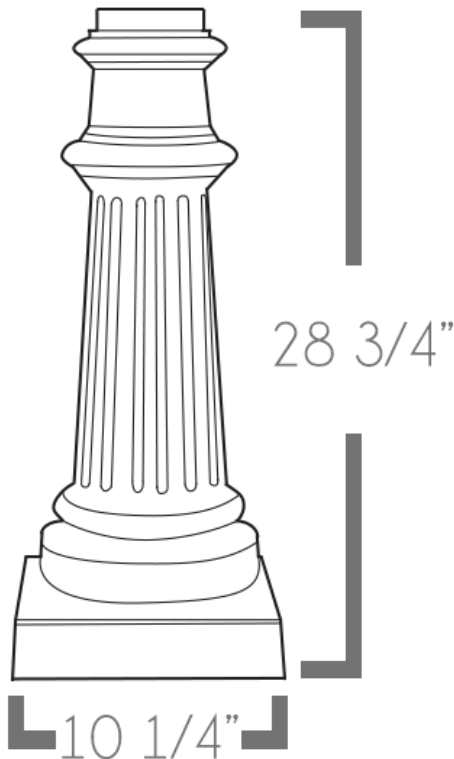
**CLP-SL-X-122**

**Base for Pole**



The **CLP-SL-X-122** is a tall decorative fluted base built with cast aluminum. It is also constructed with an aluminum shaft. The shaft is available in the following sizes: 3", 4" and custom.

**dimensions**



# Ordering Guide

Example: CLP-SL-X-122-4F8.188-BZ

CLP-SL-X-122	4F8.188	BZ
<b>A.</b>	<b>B.</b>	<b>C.</b>

<b>A. Item Number</b>	<b>CLP-SL-X-122</b>
-----------------------	---------------------

	Shaft Diameter	Finished Height	Wall Thickness	Smooth Shaft Order #	Fluted Shaft Order #
	<b>B. Cast Base and Shaft</b>	3"	6'	0.125	CLP-SL-X-122-3S6.125
3"		7'	0.125	CLP-SL-X-122-3S7.125	CLP-SL-X-122-3S7.125
3"		8'	0.125	CLP-SL-X-122-3S8.125	CLP-SL-X-122-3S8.125
3"		9'	0.125	CLP-SL-X-122-3S9.125	
3"		10'	0.125	CLP-SL-X-122-3S10.125	
3"		10'	0.188	CLP-SL-X-122-3S10.188	
3"		11'	0.188	CLP-SL-X-122-3S11.188	
3"		12'	0.188	CLP-SL-X-122-3S12.188	
4"		8'	0.125	CLP-SL-X-122-4S6.125	
4"		9'	0.125	CLP-SL-X-122-4S9.125	
4"		10'	0.125	CLP-SL-X-122-4S10.125	
4"		8'	0.188		CLP-SL-X-122-4F8.188
4"		9'	0.188		CLP-SL-X-122-4F9.188
4"		10'	0.188		CLP-SL-X-122-4F10.188
4"		11'	0.188		CLP-SL-X-122-4F11.188
4"		12'	0.188	CLP-SL-X-122-4S12.188	CLP-SL-X-122-4F12.188
4"		13'	0.188	CLP-SL-X-122-4S13.188	CLP-SL-X-122-4F13.188
4"		14'	0.188	CLP-SL-X-122-4S14.188	CLP-SL-X-122-4F14.188

<b>C. Finish</b>	<b>BZ-</b> BRONZE <b>GRY-</b> GRAY <b>BLK-</b> BLACK <b>WH-</b> WHITE <b>CUS-</b> CUSTOM
------------------	--