



CRYSTAL SIGNATURE  
CRYSTAL SIGNATURE

DATE	
PROJECT	
TYPE	
NOTE	
PREPARED BY	

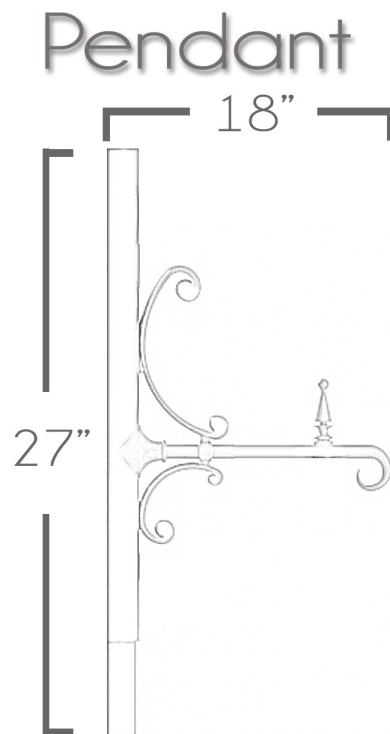
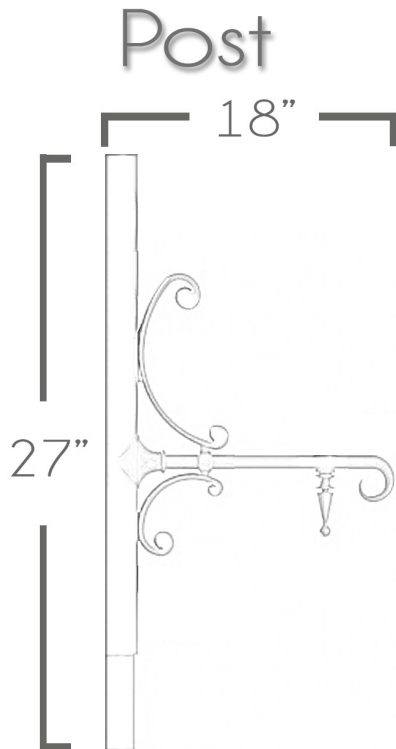
**CLP-SL-L-109**

**Post Arm**



The **CLA-SL-L-109** is constructed from casted aluminum. The decorative scrolling permits a post or pendant fixture to be mounted onto the **CLA-SL-L-109**. This arm mount is designed to slip over pole sizes: 3" Ø, 4" Ø and custom. Lastly, this arm post allows up to (4) fixtures to be mounted when configured.

dimensions



# Ordering Guide

Example: CLP-SL-L-109-POST-1-BZ

CLP-SL-L-109	POST	1	BZ
--------------	------	---	----

**A.**


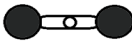

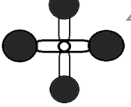
**B.**

**C.**

**D.**

<b>A. Item Number</b>	CLP-SL-L-109
-----------------------	--------------

<b>B. Post Arm Orientation</b>	<ul style="list-style-type: none"> <li>• POST</li> <li>• PENDANT</li> </ul>
--------------------------------	---

<b>C. Number of Arm Configurations</b>	<p>1 arm</p> 	<p>2 arm</p> 	<p>3 arm</p> 	<p>4 arm</p> 
--	--	--	--	--

<b>D. Finish</b>	<p>BZ- BRONZE</p> <p>GRY- GRAY</p> <p>BLK- BLACK</p> <p>WH- WHITE</p> <p>CUS- CUSTOM</p>
------------------	--