



CRYSTAL SIGNATURE
CRYSTAL SIGNATURE

DATE	
PROJECT	
TYPE	
NOTE	
PREPARED BY	

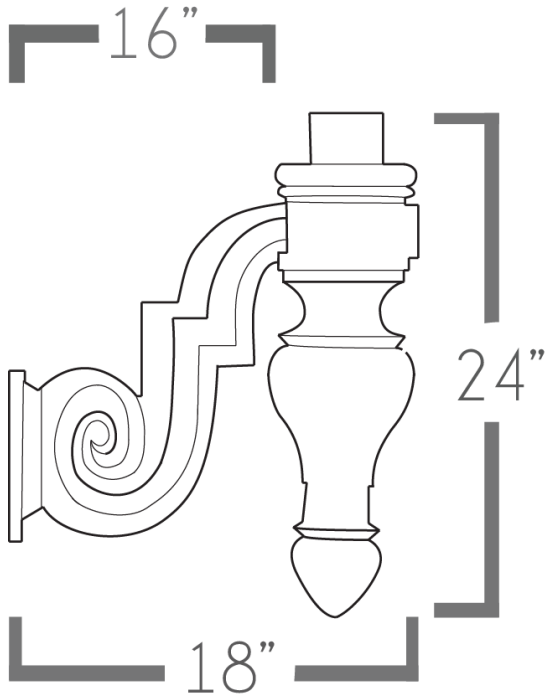
CLA-SL-L-250

Post Arm



The CLA-SL-L-250 is built with heavy-duty cast aluminum. The CLA-SL-L-250 is designed with a decorative, Victorian arm that adds style to exterior and interior environments. This arm works best when mounted with a post fixture.

dimensions



Ordering Guide

Example: CLA-SL-L-250-POST-1-BZ

CLA-SL-L-250	POST	1	BZ
--------------	------	---	----

A.

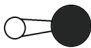
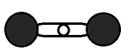
B.

C.

D.

A. Item Number	CLA-SL-L-250
-----------------------	--------------

B. Post Arm Orientation	• POST
--------------------------------	--------

C. Number of Arm Configurations	1 arm	2 arm
		

D. Finish	<p>BZ- BRONZE</p> <p>GRY- GRAY</p> <p>BLK- BLACK</p> <p>WH- WHITE</p> <p>CUS- CUSTOM</p>
------------------	--