



CRYSTAL SIGNATURE  
CRYSTAL SIGNATURE

DATE	
PROJECT	
TYPE	
NOTE	
PREPARED BY	

### **CLP-SL-M-9**

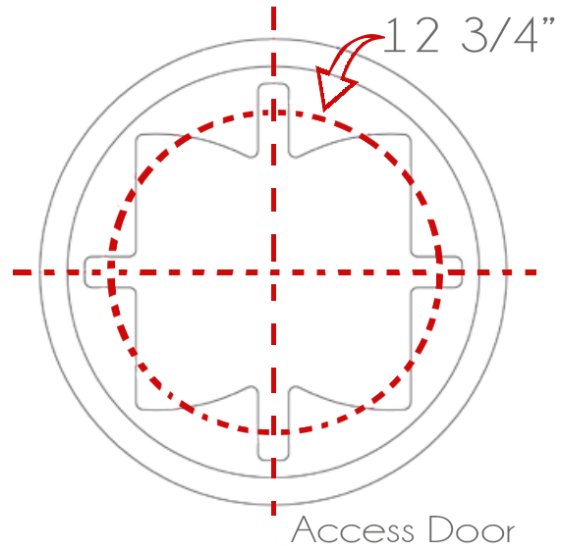
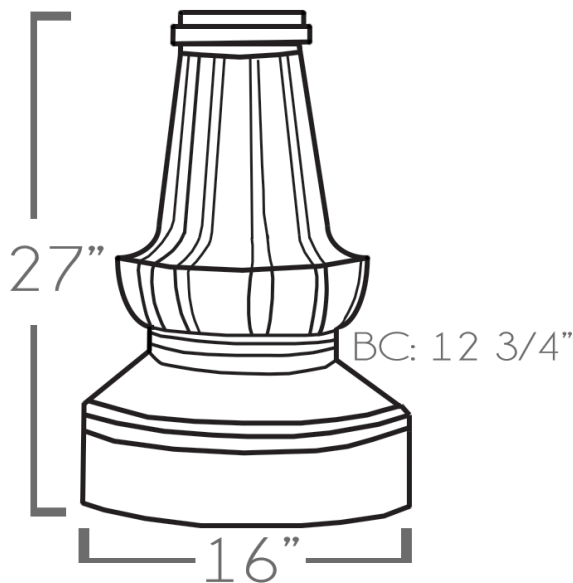
### **Base for Pole**

This base is suitable for traditional and contemporary environments. It is constructed with robust cast aluminum for guaranteed durability. The **CLB-SL-M-9** is designed with detailed curvature. The sculptured curved flutes create an elegant and sophisticated look that will upgrade the appearance of any ambience.



BC: 12 3/4"

## dimensions



# Ordering Guide

Example: CLP-SL-M-9-4F10.188-BZ

CLP-SL-M-9	4F10.188	BZ
<b>A.</b>	<b>B.</b>	<b>C.</b>

<b>A. Item Number</b>	CLP-SL-M-9
-----------------------	------------

	Shaft Diameter	Finished Height	Wall Thickness	Smooth Shaft Order #	Flutes Shaft Order #
	<b>B. Cast Base &amp; Shaft</b>	3"	8'	0.125	CLP-SL-M-9-3S8.125
3"		9'	0.125	CLP-SL-M-9-3S9.125	CLP-SL-M-9-3F9.125
3"		10'	0.125	CLP-SL-M-9-3S10.125	
3"		10'	0.188	CLP-SL-M-9-3S10.188	
3"		11'	0.188	CLP-SL-M-9-3S11.188	
3"		12'	0.188	CLP-SL-M-9-3S12.188	
4"		10'	0.125	CLP-SL-M-9-4S10.125	
4"		11'	0.125	CLP-SL-M-9-4S11.125	
4"		12'	0.125	CLP-SL-M-9-4S12.125	
4"		13'	0.125	CLP-SL-M-9-4S13.125	
4"		14'	0.125	CLP-SL-M-9-4S14.125	
4"		10'	0.188		CLP-SL-M-9-4F10.188
4"		11'	0.188		CLP-SL-M-9-4F11.188
4"		12'	0.188		CLP-SL-M-9-4F12.188
4"		13'	0.188		CLP-SL-M-9-4F13.188
4"		14'	0.188	CLP-SL-M-9-4S14.188	CLP-SL-M-9-4F14.188
5"		12'	0.125	CLP-SL-M-9-5S12.125	
5"		13'	0.125	CLP-SL-M-9-5S13.125	
5"		14'	0.125	CLP-SL-M-9-5S14.125	
5"		15'	0.125	CLP-SL-M-9-5S15.125	
5"		16'	0.125	CLP-SL-M-9-5S16.125	
5"		12'	0.188		CLP-SL-M-9-5F12.188
5"		13'	0.188		CLP-SL-M-9-5F13.188
5"		14'	0.188		CLP-SL-M-9-5F14.188
5"		15'	0.188		CLP-SL-M-9-5F15.188
5"		16'	0.188	CLP-SL-M-9-5S16.188	CLP-SL-M-9-5F16.188

<b>C. Finish</b>	<p><b>BZ- BRONZE</b></p> <p><b>GRY- GRAY</b></p> <p><b>BLK- BLACK</b></p> <p><b>WH- WHITE</b></p> <p><b>CUS- CUSTOM</b></p>
------------------	-----------------------------------------------------------------------------------------------------------------------------