



DATE	
PROJECT	
TYPE	
NOTE	
PREPARED BY	

## CL-OVL500

## Orca LED Wall Pack



The **CL-OVL500** presents a simple yet unique curved design that enhances the appearance of many locations. This fixture is ideal for locations such as: parking areas, entrances, walkways, underpasses, and interior/exterior walls. The wall mount on this fixture allows easy maintenance. The **CL-OVL500** is competitively priced and includes a 3 year warranty.

### FEATURES

- Energy Savings: Over 66% compared to HID light sources
- Operating temperatures: -30°C ~ 60°C
- Driver: 120V
- IP65 Rated
- UL listed for wet locations
- Operating Life: >50,000 hours
- 3 year warranty

### CONSTRUCTION

- Polycarbonate with aluminum backplate
- Chip and fade resistant powder coat finish in bronze (standard)
- Frosted UV stabilized poly carbonate Diffuser
- Mounting: Wall mount

Model Number	INPUT POWER	LUMEN OUTPUT	SCOPTIC	COLOR TEMP (CCT)	CRI	RATED LIFE (L70)	INPUT VOLTAGE	INPUT FREQUENCY
CL-OVL500-10LED	10W	1,027	1,694	4000K	80	>50,000	120V	50/60HZ
CL-OVL500-15LED	15W	1,433	2,364	4000K	80	>50,000	120V	50/60HZ
CL-OVL500-20LED	20W	1,746	2,881	4000K	870	>50,000	120V	50/60HZ

**Crystal Lighting Corporation - 13182 Flores St., Santa Fe Springs, Ca. 90670**

**Phone: 562-944-0223 - Fax: 562-944-0225 - WEB: [www.crystallighting.us](http://www.crystallighting.us)**

**Crystal Lighting is BUY AMERICAN compliant - All products are proudly manufactured and/or assembled in the USA**

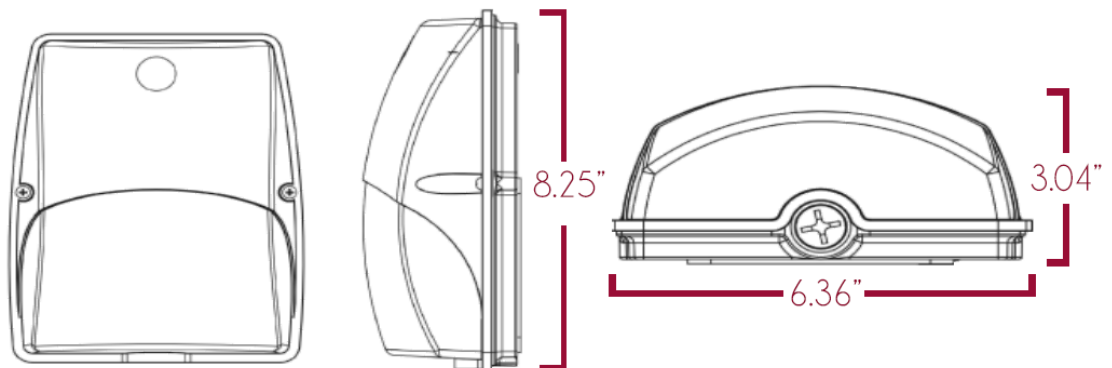
# Ordering Guide

Example: (CL-OVL500-15LED-40-120V-BZ)

## CL-OVL500

MODEL	WATTS	COLOR TEMP	VOLTAGE	FINISH
<b>CL-OVL500</b>	10W-10LED	<b>40-4000K</b>	<b>120V</b>	<b>BZ- BRONZE</b>
	<b>15W-15LED</b>			
	20W-20LED			

## Dimensions



Crystal Lighting Corporation - 13182 Flores St., Santa Fe Springs, Ca. 90670

Phone: 562-944-0223 - Fax: 562-944-0225 - WEB: [www.crystallighting.us](http://www.crystallighting.us)

Crystal Lighting is BUY AMERICAN compliant - All products are proudly manufactured and/or assembled in the USA