

DATE	
PROJECT	
TYPE	
NOTE	
PREPARED BY	

## CL-WLL120

## Mira LED WALL PACK



Introducing an innovative Small full cut off LED wall pack fixture. The intelligent design and flexible features will replace your conventional wall packs, it is UL listed for wet locations, DLC listed, Dark Sky compliant. Perfect for lighting up residential exteriors, walkways, entry ways, perimeters, parking garages, school campuses, industrial/commercial spaces. This fixture has a wide rectangular light distribution. A multi purpose wall fixture that will meet your specific requirements. The adjustable head makes it unique by giving you precise aiming. Comes with a 5 year/50,000 hour limited warranty.

### FEATURES

- Energy Savings: Over 66% compared to HID light sources
- Improved lumen maintenance
- Utilizes high efficient Phillips Lumiled LED's
- Operating temperatures: -30°C ~ 60°C
- Driver: Class 2, Constant current, 120-277v, 50/60Hz, 480v (Optional)
- UL listed for wet locations
- Dimming, occupancy sensors, photo cell capable (optional)
- Operating Life: >50,000 hours
- Efficient design separates the driver from the LEDs to minimize heat
- Adjustable head for precise aiming



### OPTIONS

- (OCC) Motion sensor
- (PC) Button photo cell
- (WC) wireless controls

### CONSTRUCTION

- Housing is heavy-duty high quality die-cast aluminum
- 1/2" Coin plugs with O-rings for conduit, sensors or photo cell
- Powder coat silver finish (standard) various colors available (custom).
- Tempered flat clear glass lens
- Silicone gasket to prevent leakage and provide weather-tight protection.
- Mounting: Cast-in Template for Mounting Directly Over a 4" Recessed Outlet Box, or use 1/2" Surface Conduit
- IP66 Rated



Model Number	INPUT POWER	Delivered Lumens	COLOR TEMP (CCT)	CRI	RATED LIFE (L70)	INPUT VOLTAGE	INPUT FREQUENCY	HID Equivalent	DLC LISTED
CL-WLL120-26LED	27.6W	1,873	5000K	70+	>200,000	120-277V	50/60HZ	175w MH	YES

Crystal Lighting Corporation - 13182 Flores St., Santa Fe Springs, Ca. 90670

Phone: 562-944-0223 - Fax: 562-944-0225 - WEB: [www.crystallighting.us](http://www.crystallighting.us)

Crystal Lighting is BUY AMERICAN compliant - All products are proudly manufactured and/or assembled in the USA

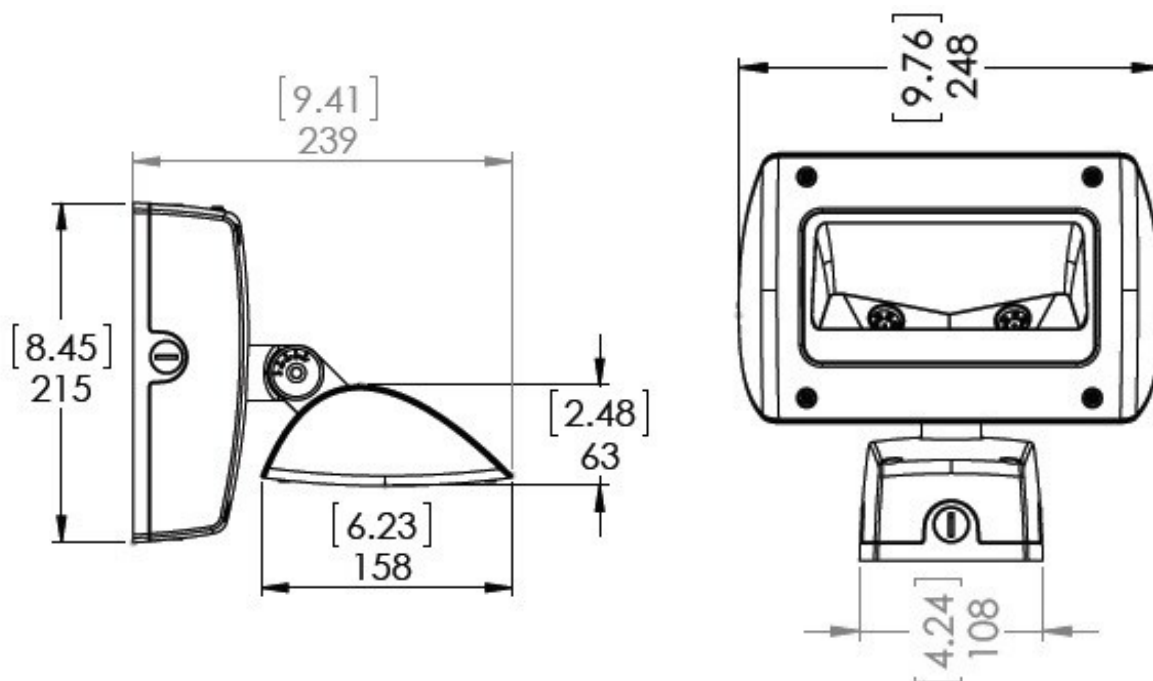
# Ordering Guide

Example: (CL-WLL120-26LED-50-MV-BZ-OCC)

## CL-WLL120

MODEL	WATTS	COLOR TEMP	VOLTAGE	FINISH	OPTIONS
CL-WLL120	26W-26LED	27-270K	MV—120~277V	<u>STANDARD:</u>	OCC— MOTION SENSOR
		30-3000K	480—480V	BZ— BRONZE	PC— PHOTO CELL
		35-3500K		SIL— SILVER	WC— WIRELESS CONTROL
		40-4000K		<u>ADD'L COST:</u>	
		50-5000K		BLK—BLACK	
		57-5700K		WH— WHITE	
		65-6500K		CUS—CUSTOM	

# Dimensions



Crystal Lighting Corporation - 13182 Flores St., Santa Fe Springs, Ca. 90670

Phone: 562-944-0223 - Fax: 562-944-0225 - WEB: [www.crystallighting.us](http://www.crystallighting.us)

Crystal Lighting is BUY AMERICAN compliant - All products are proudly manufactured and/or assembled in the USA