



DATE	
PROJECT	
TYPE	
NOTE	
PREPARED BY	

CL-WLL-140-52LED

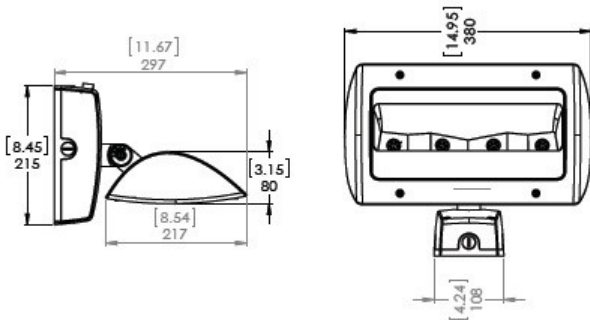
Mira LED WALL PACK



Introducing an innovative Small full cut off LED wall pack fixture. The intelligent design and flexible features will replace your conventional wall packs, it is UL listed for wet locations, DLC listed, Dark Sky compliant. Perfect for lighting up residential exteriors, walkways, entry ways, perimeters, parking garages, school campuses, industrial/commercial spaces. This fixture has a wide rectangular light distribution. A multi purpose wall fixture that will meet your specific requirements. The adjustable head makes it unique by giving you precise aiming. Comes with a 5 year/50,000 hour limited warranty.

FEATURES

- Energy Savings: Over 66% compared to HID light sources
- Improved lumen maintenance
- Utilizes high efficient Phillips Lumiled LED's
- Operating temperatures: -30°C ~ 60°C
- Driver: Class 2, Constant current, 120-277v, 50/60Hz, 480v (Optional)
- UL listed for wet locations
- Dimming, occupancy sensors, photo cell capable (optional)
- Operating Life: >50,000 hours
- Efficient design separates the driver from the LEDs to minimize heat
- Adjustable head for precise aiming



CONSTRUCTION

- Housing is heavy-duty high quality die-cast aluminum
- 1/2" Coin plugs with O-rings for conduit, sensors or photo cell
- Powder coat silver finish (standard) various colors available (custom).
- Tempered flat clear glass lens
- Silicone gasket to prevent leakage and provide weather-tight protection.
- Mounting: Cast-in Template for Mounting Directly Over a 4" Recessed Outlet Box, or use 1/2" Surface Conduit
- IP66 Rated

OPTIONS

- (OCC) Motion sensor
- (PC) Button photo cell
- (WC) Wireless controls



Model Number	INPUT POWER	Delivered Lumens	SCOPTIC	COLOR TEMP (CCT)	CRI	RATED LIFE (L70)	INPUT VOLTAGE	INPUT FREQUENCY	HID Equivalent	DLC LISTED
CL-WLL140-52LED	56W	3,980	6,368	5,800K	70+	>200,000	120-277V	50/60HZ	250w MH	YES

Ordering Guide Example: (CL-WLL140-52LED-58-MV-BZ-OCC)

CL-WLL140	MODEL	WATTS	COLOR TEMP	VOLTAGE	FINISH	OPTIONS
CL-WLL140	CL-WLL140	26W-26LED	40-4000K 58-5800K	MV=120-277V 480-480V	BZ- BRONZE SIL- Silver BLK-BLACK WH- WHITE CUS-CUSTOM	OCC- MOTION SENSOR PC- Photo cell WC- Wireless controls

Crystal Lighting Corporation - 13182 Flores St., Santa Fe Springs, Ca. 90670

Phone: 562-944-0223 - Fax: 562-944-0225 - WEB: www.crystallighting.us

Crystal Lighting is BUY AMERICAN compliant - All products are proudly manufactured and/or assembled in the USA