



DATE	
PROJECT	
TYPE	
NOTE	
PREPARED BY	

CLA-18

Decorative LED Exterior Wall Fixture



The **CLA-18** is versatile due to its simple design. It has an opal acrylic lens, topped with a decorative finial to complete an embellishing appearance. This fixture is available in three sizes and can be adjusted to best suit desired specifications. The **CLA-18** is commonly installed in exterior locations such as: hotels, restaurants, public transportation facilities and other commercial areas. Along with investing in this fixture comes a 10 year warranty.

FEATURES

- 120~277V
- Suitable for damp locations
- Other options to include available upon request
- 10 year warranty

CONSTRUCTION

- Housing may be constructed of stainless steel, or aluminum
- Options: emergency back up ballast, occupancy sensors, dimming ballasts

MODEL #	LUMEN OUTPUT	COLOR TEMP	CRI	L70 RATING	INPUT FREQUENCY
SM/MD/LG-CLA-18-10LED	800	5000K	75	>200,000	50/60 HZ
SM/MD/LG-CLA-18-20LED	1,600	5000K	75	>200,000	50/60 HZ

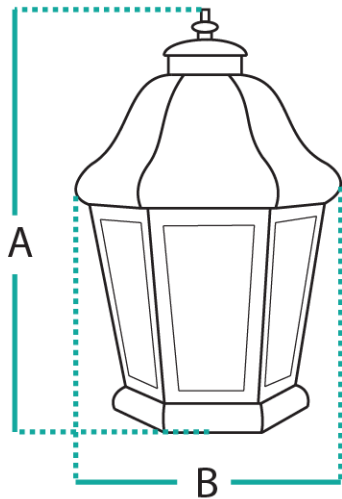
Ordering Guide

Example: SM-CLA-18-20LED-30-MV-EMR

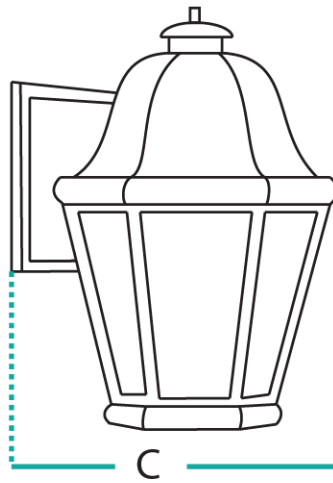
MODEL	WATTS	COLOR TEMP	VOLTAGE	OPTIONS
SM-CLA-18	10W-10LED	30-3000K	MV—120~277V	EMR-Emergency Battery OCC-Occupancy Sensor DIMM-Dimming Ballasts
MD-CLA-18	20W-20LED	40-4000K		
LG-CLA-18		50-5000K		

Dimensions

Front view



Side view



	A	B	C
SM-CLA-18	15"	9.50"	11"
MD-CLA-18	16.50"	11"	12"
LG-CLA-18	19.50"	14"	15"

Crystal Lighting Corporation - 13182 Flores St., Santa Fe Springs, Ca. 90670

Phone: 562-944-0223 - Fax: 562-944-0225 - WEB: www.crystallighting.us

Crystal Lighting is BUY AMERICAN compliant - All products are proudly manufactured and/or assembled in the USA