

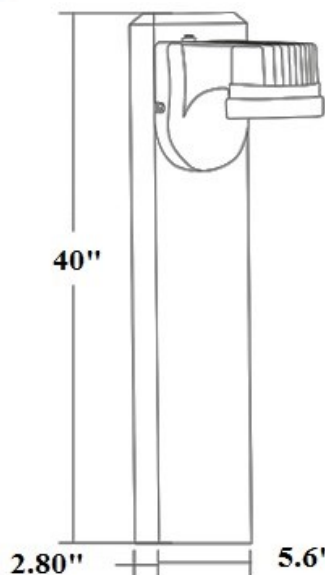


DATE	
PROJECT	
TYPE	
NOTE	
PREPARED BY	

## CLB-3090

### New attractive LED bollard design

Attractive new LED bollard design. Ideal for lighting pedestrian walkways and accenting the exterior grounds of office and apartment building, hotel and parks. Cast aluminum construction throughout to provide corrosion and vandal resistant. Comes with a 5 year/50,000 hour limited warranty.



#### FEATURES

- Energy Savings: Over 66% compared to HID light sources
- Improved lumen maintenance
- Utilizes high efficient LED's
- Operating temperatures: -30°C ~ 60°C
- Driver: Constant current, 120-277v, 50/60Hz, 480v (Optional)
- Suitable for wet locations
- Dimming, occupancy sensors, photo cell and wireless controls capable (optional)
- Operating Life: >60,000 hours

#### CONSTRUCTION

- Extruded aluminum body with die-cast aluminum top
- Powder coat black finish (standard) various colors available (custom)
- Frosted polycarbonate lens standard
- Silicone gasket to prevent leakage and provide weather-tight protection
- Mounting: Mounting kit with 8" anchor bolts included

#### OPTIONS

- (WC) Wireless controls
- (EMR) Emergency Battery back up
- (BAK4) Mounting Kit (3) 4" Anchor Bolts
- (BAK8) Mounting Kit (3) 8" Anchor Bolts (STANDARD)
- (BAK12) Mounting Kit (3) 12" Anchor Bolts
- (BAK15) Mounting Kit (3) 15" Anchor Bolts



Model Number	INPUT POWER	LUMEN OUTPUT	SCOTOPIC	COLOR TEMP (CCT)	CRI	RATED LIFE (L70)	INPUT VOLTAGE	INPUT FREQUENCY	HID Equivalent
CLB-3090-14LED	12W	750	1,198	5000K	70+	>200,000	120-277V	50/60HZ	35w HPS

#### Ordering Guide Example: (CLB-3090-14LED-50-MV-BLK-EMR)

CLB-3090	MODEL	WATTS	COLOR TEMP	VOLTAGE	FINISH	OPTIONS
CLB-3090	CLB-3090	14W-14LED	50-5000K	MV=120-277V 480-480V	BZ- BRONZE GRY-GRAY BLK-BLACK WH- WHITE CUS-CUSTOM	(WC) Wireless controls (EMR) Emergency battery back up (BAK4) Mounting Kit (3) 4" Anchor Bolts (BAK8) Mounting Kit (3) 8" Anchor Bolts (STANDARD) (BAK12) Mounting Kit (3) 12" Anchor Bolts (BAK15) Mounting Kit (3) 15" Anchor Bolts