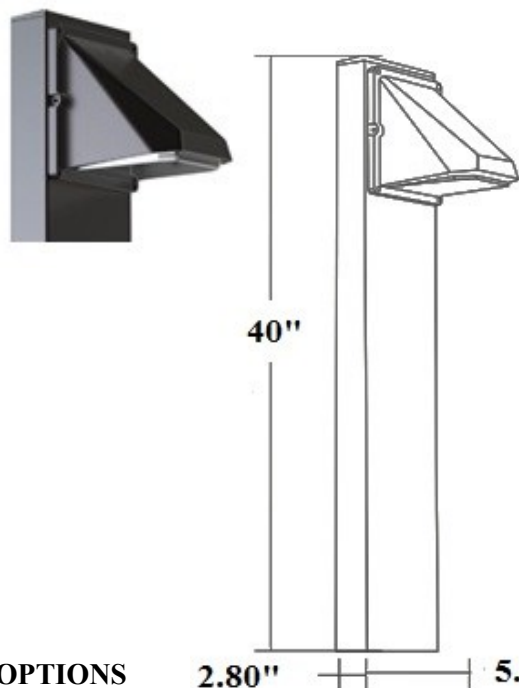




|             |  |
|-------------|--|
| DATE        |  |
| PROJECT     |  |
| TYPE        |  |
| NOTE        |  |
| PREPARED BY |  |

## CLB-3092

### New attractive LED bollard design



Attractive new LED bollard design. Ideal for lighting pedestrian walkways and accenting the exterior grounds of office and apartment building, hotel and parks. Cast aluminum construction throughout to provide corrosion and vandal resistant. Comes with a 5 year/50,000 hour limited warranty.

#### FEATURES

- Energy Savings: Over 66% compared to HID light sources
- Improved lumen maintenance
- Utilizes high efficient LED's
- Operating temperatures: -30°C ~ 60°C
- Driver: Constant current, 120-277v, 50/60Hz, 480v (Optional)
- Suitable for wet locations
- Dimming, occupancy sensors, photo cell and wireless controls capable (optional)
- Operating Life: >60,000 hours

#### CONSTRUCTION

- Extruded aluminum body with die-cast aluminum top
- Powder coat black finish (standard) various colors available (custom)
- Frosted polycarbonate lens standard
- Silicone gasket to prevent leakage and provide weather-tight protection
- Mounting: Mounting kit with 8" anchor bolts included

#### OPTIONS

- (WC) Wireless controls
- (EMR) Emergency Battery back up
- (BAK4) Mounting Kit (3) 4" Anchor Bolts
- (BAK8) Mounting Kit (3) 8" Anchor Bolts (STANDARD)
- (BAK12) Mounting Kit (3) 12" Anchor Bolts
- (BAK15) Mounting Kit (3) 15" Anchor Bolts



| Model Number   | INPUT POWER | LUMEN OUTPUT | SCOTOPIC | COLOR TEMP (CCT) | CRI | RATED LIFE (L70) | INPUT VOLTAGE | INPUT FREQUENCY | HID Equivalent |
|----------------|-------------|--------------|----------|------------------|-----|------------------|---------------|-----------------|----------------|
| CLB-3092-14LED | 12W         | 750          | 1,198    | 5000K            | 70+ | >200,000         | 120-277V      | 50/60HZ         | 35w HPS        |

#### Ordering Guide Example: (CLB-3092-14LED-50-MV-BLK-EMR)

| MODEL    | WATTS     | COLOR TEMP | VOLTAGE                 | FINISH  | OPTIONS  |
|----------|-----------|------------|-------------------------|---|--|
| CLB-3092 | 14W-14LED | 50-5000K   | MV=120-277V<br>480-480V | BZ- BRONZE<br>GRY-GRAY<br><b>BLK-BLACK</b><br>WH- WHITE<br>CUS-CUSTOM | (WC) Wireless controls<br>(EMR) Emergency battery back up<br>(BAK4) Mounting Kit (3) 4" Anchor Bolts<br>(BAK8) Mounting Kit (3) 8" Anchor Bolts (STANDARD)<br>(BAK12) Mounting Kit (3) 12" Anchor Bolts<br>(BAK15) Mounting Kit (3) 15" Anchor Bolts |