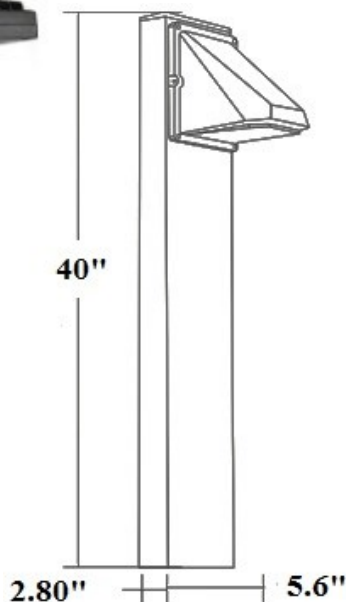


DATE	
PROJECT	
TYPE	
NOTE	
PREPARED BY	

CLB-3094

New attractive LED bollard design



Attractive new LED bollard design. Ideal for lighting pedestrian walkways and accenting the exterior grounds of office and apartment building, hotel and parks. Cast aluminum construction throughout to provide corrosion and vandal resistant. Comes with a 5 year/50,000 hour limited warranty.

FEATURES

- Energy Savings: Over 66% compared to HID light sources
- Improved lumen maintenance
- Utilizes high efficient LED's
- Operating temperatures: -30°C ~ 60°C
- Driver: Constant current, 120-277v, 50/60Hz, 480v (Optional)
- Suitable for wet locations
- Dimming, occupancy sensors, photo cell and wireless controls capable (optional)
- Operating Life: >60,000 hours

CONSTRUCTION

- Extruded aluminum body with die-cast aluminum top
- Powder coat black finish (standard) various colors available (custom)
- Frosted polycarbonate lens standard
- Silicone gasket to prevent leakage and provide weather-tight protection
- Mounting: Mounting kit with 8" anchor bolts included

OPTIONS

- (WC) Wireless controls
- (EMR) Emergency Battery back up
- (BAK4) Mounting Kit (3) 4" Anchor Bolts
- (BAK8) Mounting Kit (3) 8" Anchor Bolts (STANDARD)
- (BAK12) Mounting Kit (3) 12" Anchor Bolts
- (BAK15) Mounting Kit (3) 15" Anchor Bolts



Model Number	INPUT POWER	LUMEN OUTPUT	SCOTOPIC	COLOR TEMP (CCT)	CRI	RATED LIFE (L70)	INPUT VOLTAGE	INPUT FREQUENCY	HID Equivalent
CLB-3094-20LED	20W	1,600	2,560	5000K	70+	>200,000	120-277V	50/60HZ	70w MH
CLB-3094-30LED	30W	2,400	3,840	5000K	70+	>200,000	120-277V	50/60HZ	100w MH

Ordering Guide Example: (CLB-3094-20LED-50-MV-BLK-EMR)

CLB-3094	MODEL	WATTS	COLOR TEMP	VOLTAGE	FINISH	OPTIONS
	CLB-3094	20W-20LED 30W-30LED	50-5000K	MV=120-277V 480-480V	BZ- BRONZE GRY-GRAY BLK-BLACK WH- WHITE CUS-CUSTOM	(WC) Wireless controls (EMR) Emergency battery back up (BAK4) Mounting Kit (3) 4" Anchor Bolts (BAK8) Mounting Kit (3) 8" Anchor Bolts (STANDARD) (BAK12) Mounting Kit (3) 12" Anchor Bolts (BAK15) Mounting Kit (3) 15" Anchor Bolts