



DATE	
PROJECT	
TYPE	
NOTE	
PREPARED BY	

**CLB-3096**

**LED Dome Bollard with Glass Refractor**



The **CLB-3096** is designed with a domed top to create a sophisticated look. It is built with aluminum housing and is assembled with a clear acrylic lens for durability. The **CLB-3096** is ideal for exterior locations such as pedestrian walkways, exterior grounds of an office, apartment buildings, hotels and parks. In addition, it's longevity is outstanding compared to other competitors. Along with the investment of a **CLB-3096** comes a 10 year warranty.

**FEATURES**

- Energy Savings: Over 66% compared to HID light sources
- Improved lumen maintenance
- Manufactured with high efficient Phillips® Lumiled LED'S
- Operating Temperatures: -30°C ~ 60°C
- Driver: Constant current, 120-277v, 50/60Hz
- IP 65, suitable for wet locations
- Photo cell, wireless controls capable, emergency battery (optional w/ adder)
- Operating life: >200,000 hours

**CONSTRUCTION**

- Housing is heavy-duty die-cast aluminum
- Powder coat bronze finish (standard) various colors available (custom)
- Clear acrylic lens (standard)
- T3, T5 glass refractor (optional)

**OPTIONS**

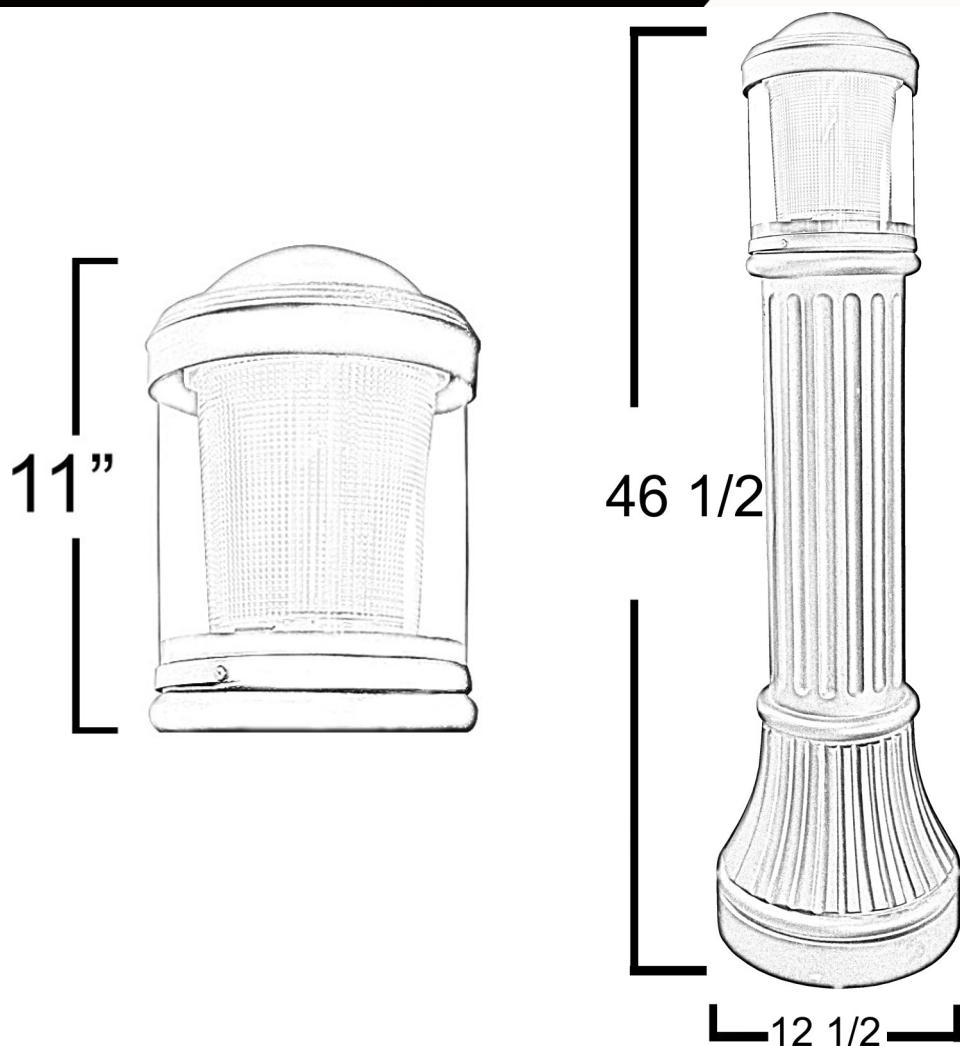
- (OCC) Motion sensor
- (PC) Button photo cell
- (WC) Wireless controls



MODEL #	INPUT POWER	LUMEN OUTPUT	SCOTOPIC	COLOR TEMP (CCT)	CRI	RATED LIFE (L70)	INPUT VOLTAGE	INPUT FREQUENCY
CLB-3096-10CLED	12W	1,376	2,201	5000K	70+	>200,000	120-277v	50/60Hz
CLB-3096-20CLED	25W	2,752	4,541	5000K	70+	>200,000	120-277v	50/60Hz
CLB-3096-30CLED	35W	4,128	6,811	5000K	70+	>200,000	120-277v	50/60Hz
CLB-3096-40CLED	45W	5,504	9,082	5000K	70+	>200,000	120-277v	50/60Hz

**Ordering Guide** Example: CLB-3096-30CLED-50-MV-BZ-WC

MODEL	WATTS	COLOR TEMP	VOLTAGE	FINISH	OPTIONS
CLB-3096	10W-10CLED 20W-20CLED <b>30W-30CLED</b> 40W-40CLED	27-2700K 30-3000K 40-4000K <b>50-5000K</b> 57-5700K 65-6500K	MV=120-277V	<u>STANDARD:</u> <b>BZ- BRONZE</b>  <u>ADDITIONAL CHARGE:</u> GRY-GRAY BLK-BLACK WH- WHITE CUS-CUSTOM	OCC—MOTION SENSOR PC—BUTTON PHOTO CELL <b>WC—WIRELESS CONTROL</b>



Crystal Lighting Corporation - 13182 Flores St., Santa Fe Springs, Ca. 90670  
 Phone: 562-944-0223 - Fax: 562-944-0225 - WEB: [www.crystallighting.us](http://www.crystallighting.us)  
 Crystal Lighting is BUY AMERICAN compliant - All products are proudly manufactured and/or assembled in the USA