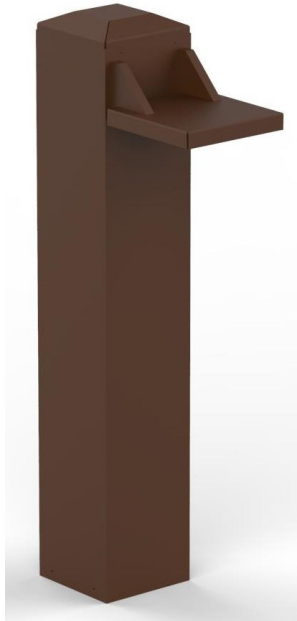




DATE	
PROJECT	
TYPE	
NOTE	
PREPARED BY	

CLB-330FAL

LED Architectural Bollard



Architectural Aluminum housing with flush Mounting Base and Vandal-Resistant Screws, Powder coat Finish over a Chromate Conversion Coating. Internal Ballast Tray for Easy Maintenance. Type III optic and full cut off light. Mounting Kit with 8" Anchor Bolts (Included). LED Array with 12up Lumileds TX chip. Ideal for lighting pedestrian walkways and accenting the exterior grounds of office and apartment buildings, hotel and parks. Comes with a 10 year/100,000 hour limited warranty.

FEATURES

- Energy Savings: Over 66% compared to HID light sources
- Improved lumen maintenance
- Utilizes high efficient LED's
- Operating temperatures: -30°C ~ 60°C
- Driver: Constant current, 120-277v, 50/60Hz, 480v (Optional)
- Suitable for wet locations
- Dimming, occupancy sensors, photo cell and wireless controls capable (optional)
- Operating Life: >80,000 hours

CONSTRUCTION

- Extruded and formed aluminum body
- Powder coat finish
- Clear optical lens
- Silicone gasket to prevent leakage and provide weather-tight protection
- Mounting: Mounting kit with 8" anchor bolts included

OPTIONS

- (WC) Wireless controls
- (EMR) Emergency Battery back up
- (BAK4) Mounting Kit (3) 4" Anchor Bolts
- (BAK8) Mounting Kit (3) 8" Anchor Bolts (STANDARD)
- (BAK12) Mounting Kit (3) 12" Anchor Bolts
- (BAK15) Mounting Kit (3) 15" Anchor Bolts



Model Number	INPUT POWER	LUMEN OUTPUT	SCOTOPIC	COLOR TEMP (CCT)	CRI	RATED LIFE (L70)	INPUT VOLTAGE	INPUT FREQUENCY	HID Equivalent
CLB-330FAL-12CLED	13W	1,812	2,900	5000K	70	>200,000	120-277V	50/60HZ	70w MH
CLB-330FAL-16CLED	18W	2,484	3,974	5000K	70	>200,000	120-277V	50/60HZ	100w MH
CLB-330FAL-24CLED	26W	3,300	5,280	5000K	70	>200,000	120-277V	50/60HZ	100w HPS
CLB-330FAL-36CLED	40W	4,608	7,372	5000K	70	>200,000	120-277V	50/60HZ	150w MH

Crystal Lighting Corporation - 13182 Flores St., Santa Fe Springs, Ca. 90670

Phone: 562-944-0223 - Fax: 562-944-0225 - WEB: www.crystallighting.us

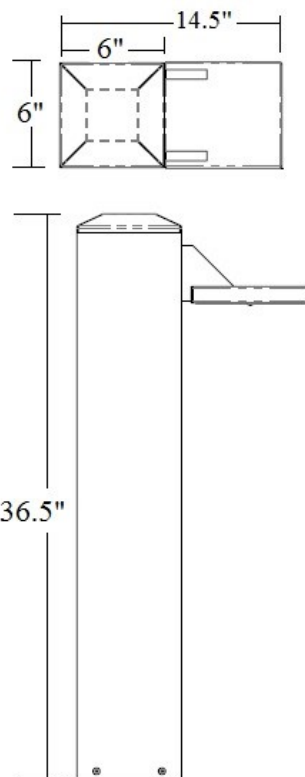
Crystal Lighting is BUY AMERICAN compliant - All products are proudly manufactured and/or assembled in the USA

Ordering Guide

Example: (CLB-330FAL-16CLED-50-MV-BLK-EMR)

CLB-330FAL					
MODEL	WATTS	COLOR TEMP	VOLTAGE	FINISH	OPTIONS
CLB-330FAL	12W-12CLED 16W-16CLED 24W-24CLED 36W-36CLED	30-3000K 40-4000K 50-5000K 57-5700K 65-6500K	MV=120-277V 480-480V	BZ- BRONZE GRY-GRAY BLK-BLACK WH- WHITE CUS-CUSTOM	(WC) Wireless controls (EMR) Emergency battery back up (BAK4) Mounting Kit (3) 4" Anchor Bolts (BAK8) Mounting Kit (3) 8" Anchor Bolts (STANDARD) (BAK12) Mounting Kit (3) 12" Anchor Bolts (BAK15) Mounting Kit (3) 15" Anchor Bolts

Dimensions



Crystal Lighting Corporation - 13182 Flores St., Santa Fe Springs, Ca. 90670

Phone: 562-944-0223 - Fax: 562-944-0225 - WEB: www.crystallighting.us

Crystal Lighting is BUY AMERICAN compliant - All products are proudly manufactured and/or assembled in the USA