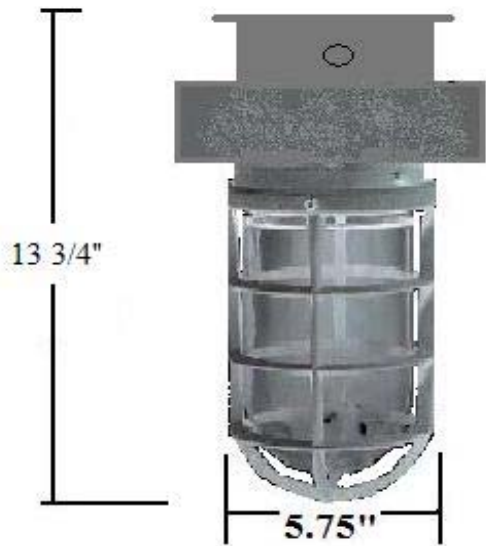
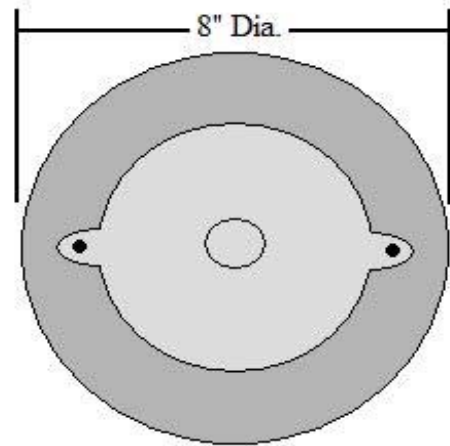


ACTUAL FIXTURE



FRONT VIEW



TOP VIEW

PROJECT NAME:	TYPE:	UL LISTED SUITABLE FOR: WET LOCATION	CATALOG # CLC-VB31-15IND-GRAY-CG-120V
CUSTOMER OR REP:	DATE: 22-May-09	LAMPING: 1-15W G24Q1 BASE	DIMENSIONS: 13 3/4" H X 8" DIA.
APPROVED BY:	DRAWING BY: Robert Naranjo	STYLE: CEILING MOUNT	FINISH: GRAY POWDERCOAT
Any & all information appearing here is propriety & confidential. It may not be used without prior authorization of: CRYSTAL LIGHTING CORPORATION			LENS: CLEAR JELLY JAR GLASS
			MATERIAL: DIE CAST ALUMINUM
			VOLTAGE: 120V