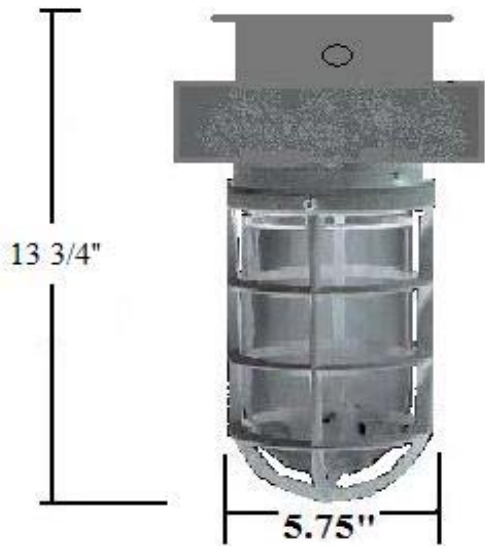
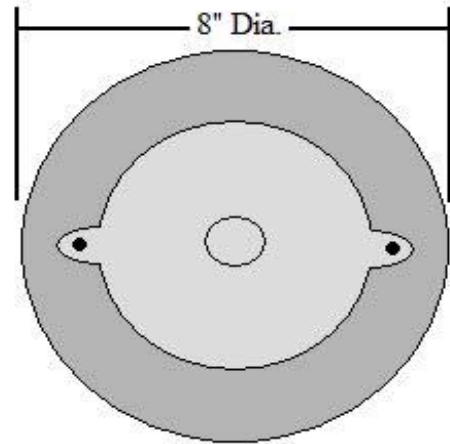


ACTUAL FIXTURE



FRONT VIEW



TOP VIEW

PROJECT NAME:	TYPE:	UL LISTED SUITABLE FOR:	CATALOG #
	DATE:	LAMPING:	DIMENSIONS:
CUSTOMER OR REP:	22-May-09	1-23W G24Q1 BASE	13 3/4" H X 8" DIA.
APPROVED BY:	DRAWING BY:	STYLE:	FINISH:
	Robert Naranjo	CEILING MOUNT	LENS:
	Any & all information appearing here is propriety & confidential. It may not be used without prior authorization of: CRYSTAL LIGHTING CORPORATION		MATERIAL:
			120V