

DATE	
PROJECT	
TYPE	
NOTE	
PREPARED BY	

CLP-302AL

Architectural LED area light fixture

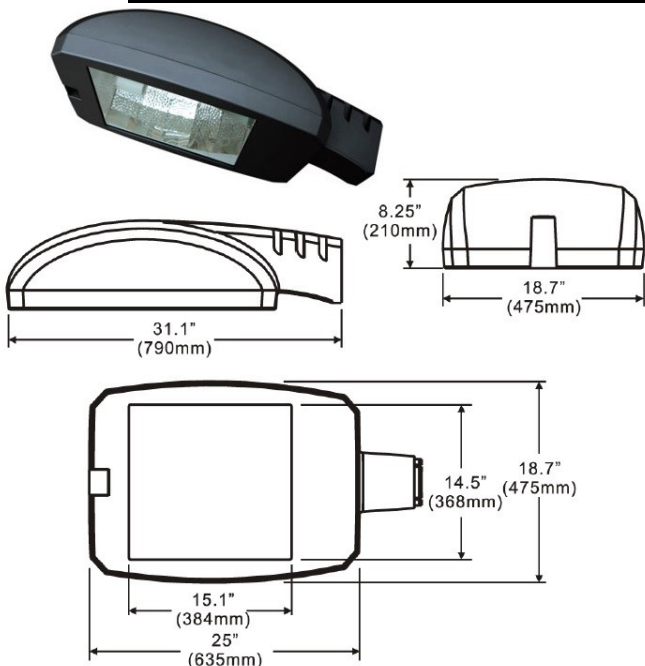
Architectural LED area light fixture, suitable for wet locations. Perfect for lighting up residential exteriors, walkways, entry ways, perimeters, storage areas, parking garages, school campuses, Industrial/commercial spaces, wall washer, parking lots, recreational parks. This fixture has a wide light distribution. Comes with a 10 year/50,000 hour limited warranty.

FEATURES

- Energy Savings: Over 66% compared to HID light sources
- Improved lumen maintenance
- Utilizes high efficient Lumiled LED's
- Operating temperatures: -30°C ~ 60°C
- Driver: Constant current, 120-277v, 50/60Hz, 480v (Optional)
- Suitable for wet locations
- Dimming, occupancy sensors, photo cell and wireless controls capable (optional)
- Operating Life: >60,000 hours

CONSTRUCTION

- Housing is heavy-duty die-cast aluminum & hinged front door frame.
- 1/2" Coin plugs with O-rings for conduit, sensors or photo cell
- Powder coat bronze finish (standard) various colors available (custom).
- Clear glass lens standard, prismatic glass lens optional
- Silicone gasket to prevent leakage and provide weather-tight protection.
- Mounting: Mounts directly onto a flat poles, optional round pole or wall mount adapters available



OPTIONS

- (OCC) Motion sensor
- (PC) Button photo cell
- (EMR) Emergency battery backup
- (GS) Glare shield
- (WC) Wireless controls
- (PG) Prismatic glass



Model Number	INPUT POWER	LUMEN OUTPUT	COLOR TEMP (CCT)	CRI	RATED LIFE (L70)	INPUT VOLTAGE	INPUT FREQUENCY	HID Equivalent
CLP-302AL-120CLED	135W	17,173	5000K	70+	>200,000	120-277V	50/60HZ	400w HPS
CLP-302AL-200CLED	210W	28,500	5000K	70+	>200,000	120-277V	50/60HZ	750w PSMH
CLP-302AL-250CLED	265W	35,156	5000K	70+	>200,000	120-277V	50/60HZ	1000w MH

Ordering Guide

Example: (CLP-302AL-120CLED-50-MV-BZ-WC)

MODEL	WATTS	COLOR TEMP	VOLTAGE	FINISH	OPTIONS
CLP-302AL	120W-120CLED 200W-200CLED 250W-250CLED	27-2700K 30-3000K 35-3500K 40-4000K 50-5000K 57-5700K 65-6500K	MV=120-277V 480-480V	BZ- BRONZE GRY-GRAY BLK-BLACK WH- WHITE CUS-CUSTOM	OCC- MOTION SENSOR PC- BUTTON PHOTO CELL EMR- EMR BATTERY GS- GLARE SHIELD PG- PRISMATIC GLASS WC- WIRELESS CONTROL