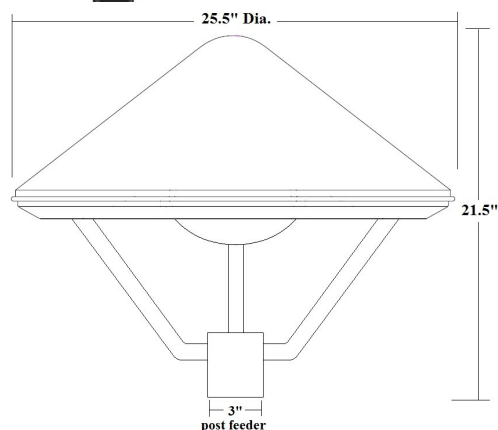




DATE	
PROJECT	
TYPE	
NOTE	
PREPARED BY	

CLP-3071

Conical LED area light post top fixture



Conical LED area light post top fixture, suitable for wet locations. Perfect for lighting up residential exteriors, walkways, perimeters, school campuses, Industrial/commercial spaces, parking lots, recreational parks. This fixture has a wide light distribution. Dark sky compliant Comes with a 5 year/50,000 hour limited warranty.

FEATURES

- Energy Savings: Over 66% compared to HID light sources
- Improved lumen maintenance
- Utilizes high efficient Phillips Lumiled LED's
- Operating temperatures: -30°C ~ 60°C
- Driver: Constant current, 120-277v, 50/60Hz, 480v (Optional)
- Suitable for wet locations
- Dimming, occupancy sensors, photo cell and wireless controls capable (optional)
- Operating Life: >60,000 hours

CONSTRUCTION

- Housing is spun aluminum material
- Powder coat black and white finish (standard) various colors available (custom).
- Clear flat glass lens (standard), clear drop acrylic lens
- Silicone gasket to prevent leakage and provide weather-tight protection.
- Mounting: Comes ready to mount on top of a 3" round pole (standard) can be built to mount on other size poles and shapes per your request.

OPTIONS

- (OCC) Motion sensor
- (PC) Button photo cell
- (WC) Wireless controls
- (ADL) Acrylic drop lens



Model Number	INPUT POWER	LUMEN OUTPUT	SCOPTIC	COLOR TEMP (CCT)	CRI	RATED LIFE (L70)	INPUT VOLTAGE	INPUT FREQUENCY	HID Equivalent
CLP-3071-20CLED	25W	2,750	4,530	5000K	70+	>200,000	120-277V	50/60HZ	100w MH
CLP-3071-40CLED	45W	5,504	8,806	5000K	70+	>200,000	120-277V	50/60HZ	150w HPS
CLP-3071-60CLED	65W	8,256	13,622	5000K	70+	>200,000	120-277V	50/60HZ	250w PSMH
CLP-3071-75CLED	80W	9,590	15,344	5000K	70+	>200,000	120-277V	50/60HZ	250w HPS

Ordering Guide

Example: (CLP-3071-40CLED-50-MV-BZ-ADL)

MODEL	WATTS	COLOR TEMP	VOLTAGE	FINISH	OPTIONS
CLP-3071	20W-20CLED 40W-40CLED 60W-60CLED 75W-75CLED	27-2700K 30-3000K 35-3500K 40-4000K 50-5000K 57-5700K 65-6500K	MV=120-277V 480-480V	BZ- BRONZE GRY-GRAY BLK-BLACK WH- WHITE CUS-CUSTOM	OCC- MOTION SENSOR PC- BUTTON PHOTO CELL WC- WIRELESS CONTROL ADL- ACRYLIC DROP LENS

Crystal Lighting Corporation - 13182 Flores St., Santa Fe Springs, Ca. 90670

Phone: 562-944-0223 - Fax: 562-944-0225 - WEB: www.crystallighting.us

Crystal Lighting is BUY AMERICAN compliant - All products are proudly manufactured and/or assembled in the USA