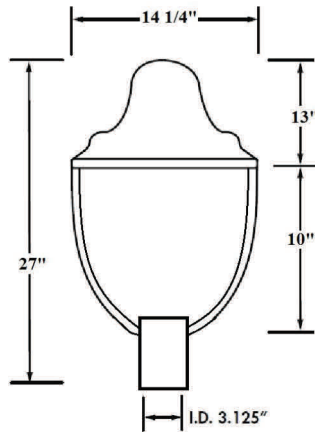




DATE	
PROJECT	
TYPE	
NOTE	
PREPARED BY	

CLP-5000

Contemporary LED Area Light Post Top Fixture



Architectural LED area light fixture, suitable for wet locations. Perfect for lighting up residential exteriors, walkways, perimeters, school campuses, industrial/commercial spaces, parking lots, and recreational parks. This fixture has a wide light distribution. Lastly, it includes a 5 year/50,000 hour limited warranty.

FEATURES

- Energy Savings: Over 66% compared to HID light sources
- Improved lumen maintenance
- Utilizes high efficient LED's
- Operating temperatures: -30°C ~ 60°C
- Driver: Constant current, 120-277v, 50/60Hz, 480v (Optional)
- Suitable for wet locations
- Dimming, occupancy sensors, photo cell and wireless controls capable (optional)
- Operating Life: >60,000 hours

CONSTRUCTION

- Housing is made of aluminum material construction
- Powder coat black finish (standard) various colors available (custom).
- Tempered glass lens (standard)
- Silicone gasket to prevent leakage and provide weather-tight protection.
- Mounting: Comes ready to mount on top of a 3" round pole (standard) or custom to fit your needs.

OPTIONS

- (OCC) Motion sensor
- (WC) Wireless controls
- (PLY) Polycarbonate lens
- (DF) Decorative finial



Model Number	INPUT POWER	LUMEN OUTPUT	SCOPTIC	COLOR TEMP (CCT)	CRI	RATED LIFE (L70)	INPUT VOLTAGE	INPUT FREQUENCY	HID Equivalent
CLP-5000-25CLED	30W	3,765	6,056	5000K	70+	>200,000	120-277V	50/60HZ	100w HPS
CLP-5000-40CLED	45W	5,504	8,806	5000K	70+	>200,000	120-277V	50/60HZ	150w HPS
CLP-5000-60CLED	65W	8,256	13,622	5000K	70+	>200,000	120-277V	50/60HZ	250w PSMH
CLP-5000-75CLED	80W	9,590	15,344	5000K	70+	>200,000	120-277V	50/60HZ	250w HPS

Ordering Guide

Example: (CLP-5000-40CLED-50-MV-BZ-SB-WC)

MODEL	WATTS	COLOR TEMP	VOLTAGE	FINISH	MOUNTING	OPTIONS
CLP-5000	25W-25CLED 40W-40CLED 60W-60CLED 80W-80CLED	27-2700K 30-3000K 35-3500K 40-4000K 50-5000K 57-5700K 65-6500K	MV=120-277V 480-480V	BZ- BRONZE GRY-GRAY BLK-BLACK WH- WHITE CUS-CUSTOM	PM-POLE MOUNT	OCC- MOTION SENSOR PC- BUTTON PHOTO CELL WC- WIRELESS CONTROL PLY- POLYCARBONATE LENS DF-DECORATIVE FINIAL

Crystal Lighting Corporation - 13182 Flores St., Santa Fe Springs, Ca. 90670

Phone: 562-944-0223 - Fax: 562-944-0225 - WEB: www.crystallighting.us

Crystal Lighting is BUY AMERICAN compliant - All products are proudly manufactured and/or assembled in the USA