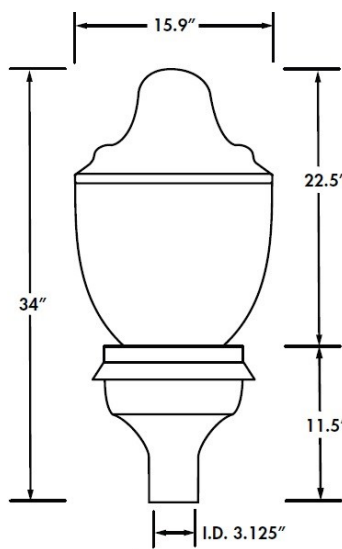




DATE	
PROJECT	
TYPE	
NOTE	
PREPARED BY	

CLP-ACRN

Acorn LED area light fixture



Acorn architectural LED area light fixture, suitable for wet locations. Perfect for lighting up residential exteriors, walkways, perimeters, school campuses, Industrial/commercial spaces, parking lots, recreational parks. This fixture has a wide light distribution. Comes with a 5 year/50,000 hour limited warranty.

FEATURES

- Energy Savings: Over 66% compared to HID light sources
- Improved lumen maintenance
- Utilizes high efficient Phillips Lumiled LED's
- Operating temperatures: -30°C ~ 60°C
- Driver: Constant current, 120-277v, 50/60Hz, 480v (Optional)
- Suitable for wet locations
- Dimming, occupancy sensors, photo cell and wireless controls capable (optional)
- Operating Life: >60,000 hours

CONSTRUCTION

- Housing is heavy-duty die-cast aluminum base
- Powder coat bronze finish (standard) various colors available (custom).
- Clear prismatic acrylic Type 5 (standard), clear prismatic polycarbonate lens (optional)
- Silicone gasket to prevent leakage and provide weather-tight protection.
- Mounting: Comes ready to mount on top of a 3" round pole (standard) 4" round pole adapter is optional

OPTIONS

- (PC) Button photo cell
- (WC) Wireless controls
- (TYP3) Type 3 lens
- (TYP5) Type 5 lens
- (PLY) Polycarbonate lens
- (DF) Decorative Finial
- (ST) Solid Top
- (BSKT1) CAGE STYLE 1
- (BSKT2) CAGE STYLE 2
- (BSKT3) CAGE STYLE 3



PHILIPS
LUMILEDS



Model Number	INPUT POWER	LUMEN OUTPUT	SCOPTIC	COLOR TEMP (CCT)	CRI	RATED LIFE (L70)	INPUT VOLTAGE	INPUT FREQUENCY	HID Equivalent
CLP-ACRN-20CLED	25W	2,750	4,530	5000K	70+	>200,000	120-277V	50/60HZ	100w MH
CLP-ACRN-40CLED	45W	5,504	8,806	5000K	70+	>200,000	120-277V	50/60HZ	150w HPS
CLP-ACRN-60CLED	65W	8,256	13,622	5000K	70+	>200,000	120-277V	50/60HZ	250w PSMH
CLP-ACRN-75CLED	80W	9,590	15,344	5000K	70+	>200,000	120-277V	50/60HZ	250w HPS

Ordering Guide

Example: (CLP-ACRN-40CLED-50-MV-BZ-TYP5-WC)

CLP-ACRN	MODEL	WATTS	COLOR TEMP	VOLTAGE	FINISH	OPTIONS
CLP-ACRN	CLP-ACRN	25W-25CLED 40W-40CLED 60W-60CLED 80W-80CLED	27-2700K 30-3000K 35-3500K 40-4000K 50-5000K 57-5700K 65-6500K	MV=120-277V 480-480V	BZ- BRONZE GRY-GRAY BLK-BLACK WH- WHITE CUS-CUSTOM	OCC- MOTION SENSOR PC- BUTTON PHOTO CELL WC- WIRELESS CONTROL TYP3- TYPE 3 LENS TYP5- TYPE 5 LENS PLY-Polycarbonate lens DF- Decorative finial ST- Solid Top

Crystal Lighting Corporation - 13182 Flores St., Santa Fe Springs, Ca. 90670

Phone: 562-944-0223 - Fax: 562-944-0225 - WEB: www.crystallighting.us

Crystal Lighting is BUY AMERICAN compliant - All products are proudly manufactured and/or assembled in the USA

DATE	
PROJECT	
TYPE	
NOTE	
PREPARED BY	

CLP-ACRN

Acorn LED area light fixture



STANDARD SHOWN



STYLE: BSKT 1



STYLE: BSKT 2



STYLE: BSKT 3



STYLE: BSKT 4