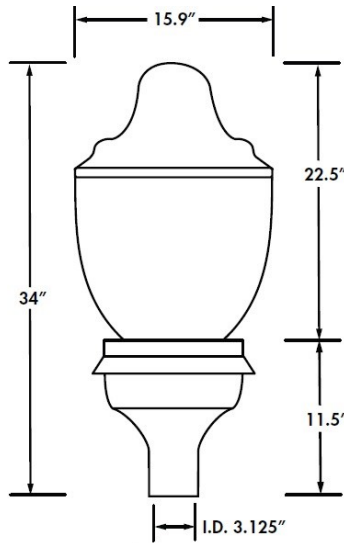




CLP-ACRN

Acorn LED Area Light Fixture



Acorn architectural LED area light fixture, suitable for wet locations. Perfect for lighting up residential exteriors, walkways, perimeters, school campuses, Industrial/commercial spaces, parking lots, recreational parks. This fixture has a wide light distribution. Comes with a 10 year warranty.

FEATURES

- Energy Savings: Over 66% compared to HID light sources
- Improved lumen maintenance
- Utilizes high efficient Phillips Lumiled LED's
- Operating temperatures: -30°C ~ 60°C
- Driver: Constant current, 120-277v, 50/60Hz, 480v (Optional)
- Suitable for wet locations
- Dimming, occupancy sensors, photo cell and wireless controls capable (optional)
- Operating Life: >200,000 hours

CONSTRUCTION

- Housing is heavy-duty die-cast aluminum base
- Powder coat bronze finish (standard) various colors available (custom).
- Clear prismatic acrylic Type 5 (standard), clear prismatic polycarbonate lens (optional)
- Silicone gasket to prevent leakage and provide weather-tight protection.
- Mounting: Comes ready to mount on top of a 3" round pole (standard) 4" round pole adapter is optional

OPTIONS

- (OCC) Motion sensor
- (PC) Button photo cell
- (WC) Wireless controls
- (TYP3) Type 3 lens
- (TYP5) Type 5 lens
- (PLY) Polycarbonate lens
- (DF) Decorative Finial
- (ST) Solid Top
- (BSKT1) CAGE STYLE 1
- (BSKT2) CAGE STYLE 2
- (BSKT3) CAGE STYLE 3
- (BSKT4) CAGE STYLE 4



PHILIPS
LUMILEDS



Wireless Controls
Available



Buy American Compliant

Model Number	INPUT POWER	LUMEN OUTPUT	SCOPTIC	COLOR TEMP (CCT)	CRI	RATED LIFE (L70)	INPUT VOLTAGE	INPUT FREQUENCY	HID Equivalent
CLP-ACRN-20CLED	25W	2,750	4,530	5000K	70+	>200,000	120-277V	50/60HZ	100w MH
CLP-ACRN-40CLED	45W	5,504	8,806	5000K	70+	>200,000	120-277V	50/60HZ	150w HPS
CLP-ACRN-60CLED	65W	8,256	13,622	5000K	70+	>200,000	120-277V	50/60HZ	250w PSMH
CLP-ACRN-75CLED	80W	9,590	15,344	5000K	70+	>200,000	120-277V	50/60HZ	250w HPS

Crystal Lighting Corporation - 13182 Flores St., Santa Fe Springs, Ca. 90670

Phone: 562-944-0223 - Fax: 562-944-0225 - WEB: www.crystallighting.us

Crystal Lighting is BUY AMERICAN compliant - All products are proudly manufactured and/or assembled in the USA

Ordering Guide

Example: (CLP-ACRN-40CLELED-50-MV-BZ-TYP5-WC)

CLP-ACRN

MODEL	WATTS	COLOR TEMP	VOLTAGE	FINISH	LENS (see next page)	OPTIONS
CLP-ACRN	25W-25CLELED	27-2700K	MV: 120-277V	BZ - BRONZE	A	OCC- MOTION SENSOR
	40W- 40CLELED	30-3000K	480-480V	GRY-GRAY	B	PC- BUTTON PHOTO CELL
	60W-60CLELED	35-3500K		BLK-BLACK	C	WC - WIRELESS CONTROL
	80W-80CLELED	40-4000K		WH- WHITE	D	TYP3- TYPE 3 LENS
		50 -5000K		CUS-CUSTOM	E	TYP5 - TYPE 5 LENS
		57-5700K			F	PLY-Polycarbonate lens
		65-6500K			G	DF- Decorative finial
					H	ST- Solid Top
						BSKT1-CAGE STYLE 1
						BSKT2-CAGE STYLE 2
						BSKT3-CAGE STYLE 3
						BSKT4- CAGE STYLE 4



STANDARD SHOWN



STYLE: BSKT 1



STYLE: BSKT 2



STYLE: BSKT 3



STYLE: BSKT 4

Crystal Lighting Corporation - 13182 Flores St., Santa Fe Springs, Ca. 90670

Phone: 562-944-0223 - Fax: 562-944-0225 - WEB: www.crystallighting.us

Crystal Lighting is BUY AMERICAN compliant - All products are proudly manufactured and/or assembled in the USA

Lens Options



A



B



C



D



E



F



G