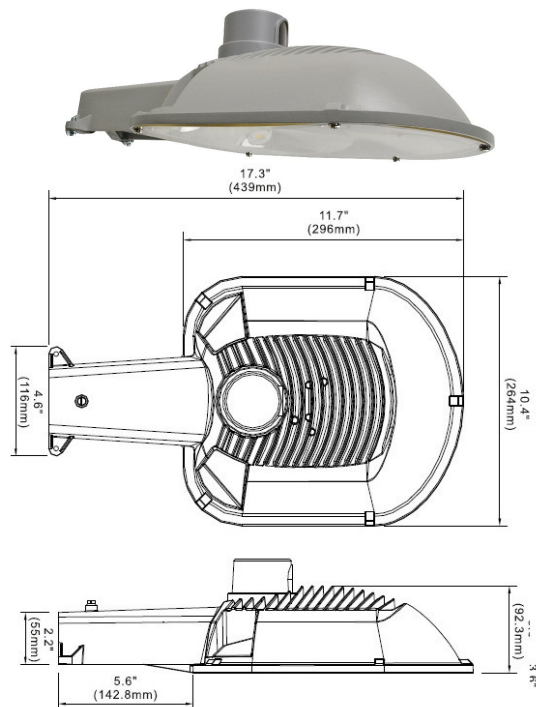




DATE	
PROJECT	
TYPE	
NOTE	
PREPARED BY	

CLP-CH01

Small LED dusk to dawn/Roadway light fixture



Small LED roadway light fixture, suitable for wet locations. Perfect for lighting up roads, intersections, highways, perimeters, parking garages, school campuses, Industrial/commercial spaces, parking lots, recreational parks. This fixture has a wide light distribution. Comes with a 5 year/50,000 hour limited warranty.

FEATURES

- Energy Savings: Over 66% compared to HID light sources
- Improved lumen maintenance
- Utilizes high efficient LED's
- Operating temperatures: -30°C ~ 60°C
- Driver: Constant current, 120-277v, 50/60Hz, 480v (Optional)
- Suitable for wet locations
- Dimming, occupancy sensors, photo cell and wireless controls capable (optional)
- Operating Life: >60,000 hours

CONSTRUCTION

- Housing is heavy-duty die-cast aluminum & hinged front door frame.
- Comes with a receptacle for twist lock photocell. Photocell (optional)
- Powder coat gray finish (standard) various colors available (custom).
- Clear flat polycarbonate lens
- Silicone gasket to prevent leakage and provide weather-tight protection.
- Mounting: Mounts onto standard 2 3/8" Dia. pipe.

OPTIONS

- (TLPC) Twist lock photo cell
- (WC) Wireless controls
- (EAWM) extruded arm wall mount



Model Number	INPUT POWER	LUMEN OUTPUT	SCOPTIC	COLOR TEMP (CCT)	CRI	RATED LIFE (L70)	INPUT VOLTAGE	INPUT FREQUENCY	HID Equivalent
CLP-CH01-40LED	40W	3,349	5,358	5000K	70+	>200,000	120-277V	50/60HZ	100w HPS

Ordering Guide

Example: (CLP-CH01-40LED-50-MV-GRY-TLPC)

MODEL	WATTS	COLOR TEMP	VOLTAGE	FINISH	OPTIONS
CLP-CH01	40W-40LED	40-4000K 50-5000K	MV=120-277V 480-480V	BZ- BRONZE GRY-GRAY BLK-BLACK WH- WHITE CUS-CUSTOM	TLPC- TWIST LOCK PHOTO CELL WC- WIRELESS CONTROL EAWM- EXTRUDED ARM WALL MOUNT