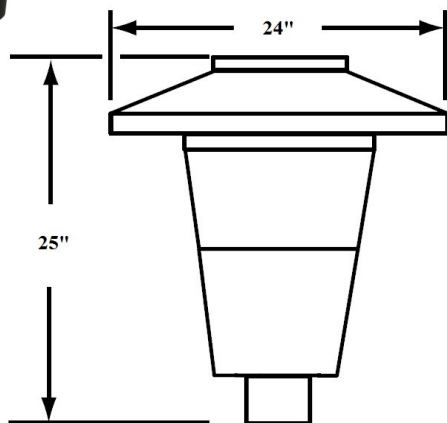




DATE	
PROJECT	
TYPE	
NOTE	
PREPARED BY	

## CLP-SOMBRERO

## Sombrero LED area light fixture



Sombrero architectural LED area light fixture, suitable for wet locations. Perfect for lighting up residential exteriors, walkways, perimeters, school campuses, Industrial/commercial spaces, parking lots, recreational parks. This fixture has a wide light distribution. Comes with a 5 year/50,000 hour limited warranty.

### FEATURES

- Energy Savings: Over 66% compared to HID light sources
- Improved lumen maintenance
- Utilizes high efficient Phillips Lumiled LED's
- Operating temperatures: -30°C ~ 60°C
- Driver: Constant current, 120-277v, 50/60Hz, 480v (Optional)
- Suitable for wet locations
- Dimming, occupancy sensors, photo cell and wireless controls capable (optional)
- Operating Life: >60,000 hours

### CONSTRUCTION

- Housing is heavy-duty die-cast aluminum & spun aluminum materials
- Powder coat bronze finish (standard) various colors available (custom).
- Clear prismatic acrylic Type 5 (standard), clear prismatic polycarbonate lens (optional)
- Silicone gasket to prevent leakage and provide weather-tight protection.
- Mounting: Comes ready to mount on top of a 3" round pole (standard) can be built to mount on other size poles and shapes.

### OPTIONS

- (OCC) Motion sensor
- (PC) Button photo cell
- (WC) Wireless controls
- (TYP3) Type 3 lens
- (TYP5) Type 5 lens
- (PLY) Polycarbonate lens



Model Number	INPUT POWER	LUMEN OUTPUT	SCOPTIC	COLOR TEMP (CCT)	CRI	RATED LIFE (L70)	INPUT VOLTAGE	INPUT FREQUENCY	HID Equivalent
CLP-SOMBRERO-25CLED	30W	3,785	6,056	5000K	70+	>200,000	120-277V	50/60HZ	150w PSMH
CLP-SOMBRERO-35CLED	40W	5,170	8,272	5000K	70+	>200,000	120-277V	50/60HZ	175w HPS
CLP-SOMBRERO-50CLED	55W	6,880	11,008	5000K	70+	>200,000	120-277V	50/60HZ	250w MH
CLP-SOMBRERO-75CLED	80W	9,590	15,344	5000K	70+	>200,000	120-277V	50/60HZ	250w HPS

### Ordering Guide

Example: (CLP-SOMBRERO-35CLED-50-MV-BZ-TYP5-WC)

CLP-SOMBRERO	MODEL	WATTS	COLOR TEMP	VOLTAGE	FINISH	OPTIONS
CLP-SOMBRERO	CLP-SOMBRERO	25W-25CLED 35W-35CLED 50W-50CLED 75W-75CLED	27-2700K 30-3000K 35-3500K 40-4000K <b>50-5000K</b> 57-5700K 65-6500K	MV=120-277V 480-480V	BZ- BRONZE GRY-GRAY BLK-BLACK WH- WHITE CUS-CUSTOM	OCC- MOTION SENSOR PC- BUTTON PHOTO CELL WC- WIRELESS CONTROL TYP3- TYPE 3 LENS TYP5- TYPE 5 LENS PLY-Polycarbonate lens

Crystal Lighting Corporation - 13182 Flores St., Santa Fe Springs, Ca. 90670

Phone: 562-944-0223 - Fax: 562-944-0225 - WEB: [www.crystallighting.us](http://www.crystallighting.us)

Crystal Lighting is BUY AMERICAN compliant - All products are proudly manufactured and/or assembled in the USA