



DATE	
PROJECT	
TYPE	
NOTE	
PREPARED BY	

SM/MD/LG-CLW-2076

Decorative LED Interior Wall Sconce



This wall sconce has a triangular frame with slits on the sides to give a unique light effect when illuminated. It is suitable for hotels, restrooms, hallways, restaurants and many other indoor locations. The **CLW-2076** is also available in three different sizes and given a brushed aluminum powder coat finish to suit desired specifications. Along with investing in the **CLW-2076** comes a 10 year warranty.

FEATURES

- 120~277V
- Suitable for damp locations
- Other options to include available upon request
- 10 year warranty

CONSTRUCTION

- Housing may be constructed of brass, stainless steel, *or* aluminum
- Top opal acrylic lens
- Brushed aluminum (standard); other finish options available (see ordering guide)

MODEL #	LUMEN OUTPUT	COLOR TEMP	CRI	L70 RATING	INPUT FREQUENCY
SM/MD/LG-CLW-2076-10LED	800	5000K	75	>200,000	50/60 HZ
SM/MD/LG-CLW-2076-20LED	1,600	5000K	75	>200,000	50/60 HZ

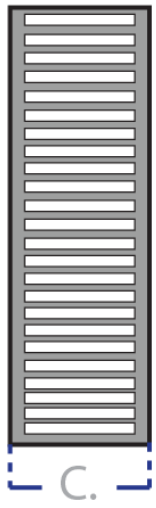
Ordering Guide

Example: MD-CLW-2076-20LED-30-MV-BZ

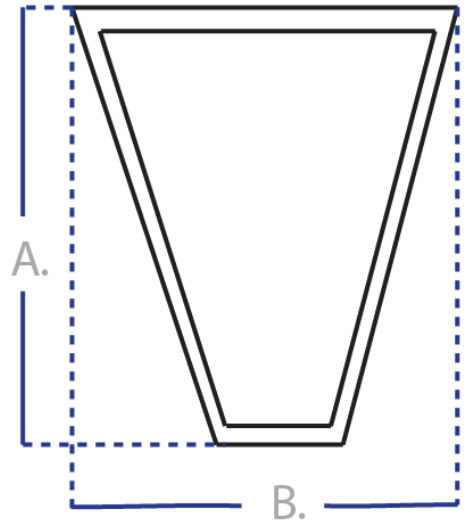
MODEL	WATTS	COLOR TEMP	VOLTAGE	FINISH
SM-CLW-2076	10W-10LED	30-3000K	MV—120~277V	SIL-SILVER
MD-CLW-2076	20W-20LED	40-4000K		WH-WHITE
LG-CLW-2076		50-5000K		BZ -BRONZE
				BLK-BLACK

Dimensions

Side View



Front View



	A	B	C
SM-CLW-2076	9"	9"	4"
MD-CLW-2076	12"	12"	4"
LG-CLW-2076	16"	16"	4"