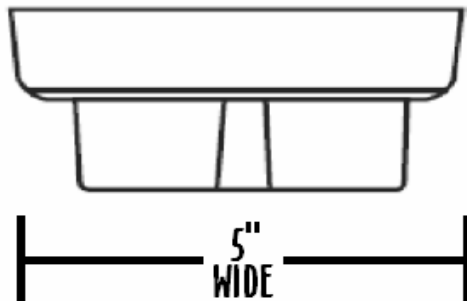
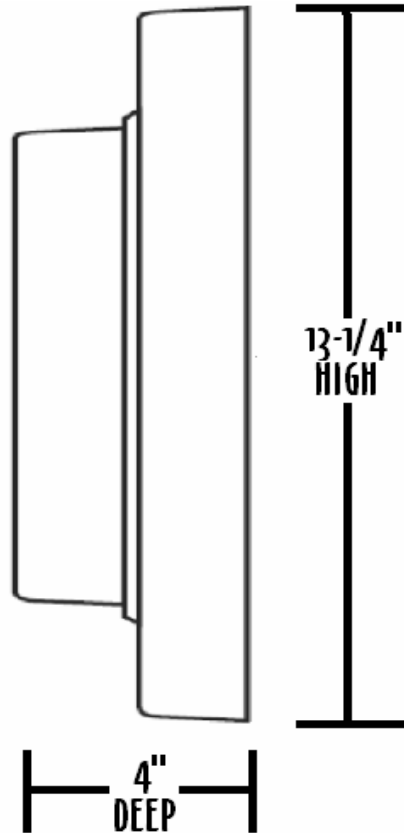


ACTUAL FIXTURE



PROJECT NAME & LOCATION:	TYPE	UL LISTED SUITABLE FOR: WET LOCATION	CATALOG # CLW-3021
	DATE:	LAMPING:	DIMENSIONS: 13-1/4" HIGH x 5" WIDE x 4" DEEP
CUSTOMER OR REP:	DRAWING BY: Cynthia J Noriega	STYLE: EXTERIOR WALL MOUNT	FINISH: POWDERCOAT
APPROVED BY:	Any & all information appearing here is propriety & confidential. It may not be used without prior authorization of: CRYSTAL LIGHTING CORPORATION		LENS: POLYCARBONATE
			MATERIAL: DIE CAST
			VOLTAGE: