



DATE	
PROJECT	
TYPE	
NOTE	
PREPARED BY	

## CLW-3081

## Decorative LED Interior Wall Sconce



Immerse your room in a warm radiance with the **CLW-3081**. It has a half-moon design with a standard rubbed bronze finish. It includes a melon glass lens for a dashing look. The **CLW-3081** is suitable for hotels, restrooms, hallways, restaurants and many other indoor locations. Along with investing in the **CLW-3081** comes a 10 year warranty.

### FEATURES

- 120~277V
- Suitable for damp locations
- Other options to include available upon request
- 10 year warranty

### CONSTRUCTION

- Housing may be constructed of brass, stainless steel, *or* aluminum
- Melon glass lens (may be substituted for alternative lens upon request)
- Bronze finish (standard); other finish options available (see ordering guide)



MODEL #	LUMEN OUTPUT	COLOR TEMP	CRI	L70 RATING	INPUT FREQUENCY
CLW-3081-10LED	800	5000K	75	>200,000	50/60 HZ
CLW-3081-20LED	1,600	5000K	75	>200,000	50/60 HZ

## Ordering Guide

Example: CLW-3081-20LED-30-MV-BZ

MODEL	WATTS	COLOR TEMP	VOLTAGE	FINISH
CLW-3081	10W-10LED	30-3000K	MV—120~277V	SIL-SILVER
	20W-20LED	40-4000K		WH-WHITE
		50-5000K		<b>BZ</b> -BRONZE
				BLK-BLACK
				Verde Green
			Pewter	
			Rust	

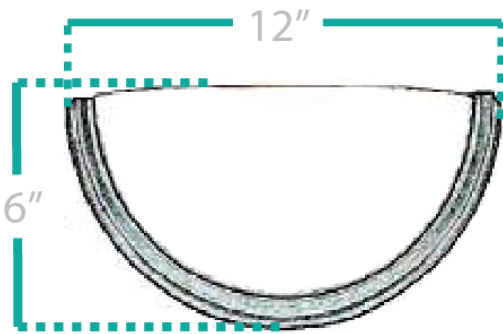
Crystal Lighting Corporation - 13182 Flores St., Santa Fe Springs, Ca. 90670

Phone: 562-944-0223 - Fax: 562-944-0225 - WEB: [www.crystallighting.us](http://www.crystallighting.us)

Crystal Lighting is BUY AMERICAN compliant - All products are proudly manufactured and/or assembled in the USA

# Dimensions

Front View



Side View

