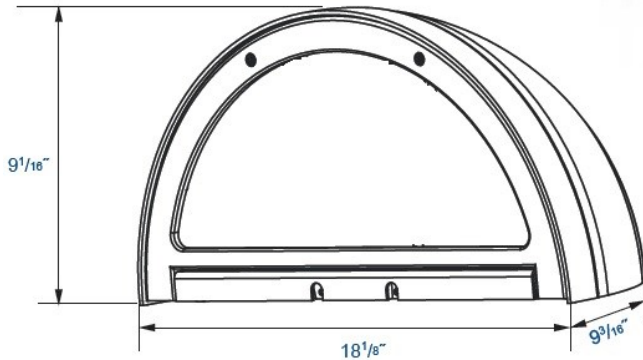


DATE	
PROJECT	
TYPE	
NOTE	
PREPARED BY	

CLW-310WP

Quarter sphere full cut off LED wallpack



Quarter sphere full cut off LED wall pack fixture, suitable for wet locations, Perfect for lighting up residential exteriors, walkways, entry ways, perimeters, parking garages, school campuses, industrial/commercial spaces. This fixture has a wide rectangular light distribution. Dark sky compliant, Comes with a 5 year/50,000 hour limited warranty.

FEATURES

- Energy Savings: Over 66% compared to HID light sources
- Improved lumen maintenance
- Utilizes high efficient Phillips Lumiled LED's
- Operating temperatures: -30°C ~ 60°C
- Driver: Constant current, 120-277v, 50/60Hz, 480v (Optional)
- Suitable for wet locations
- Dimming, occupancy sensors, photo cell capable (optional)
- Operating Life: >60,000 hours

CONSTRUCTION

- Housing is heavy-duty die-cast aluminum
- 1/2" Coin plugs with O-rings for conduit, sensors or photo cell
- Powder coat **bronze finish (standard)** various colors available (custom).
- Clear tempered glass lens
- Silicone gasket to prevent leakage and provide weather-tight protection.
- Mounting: Cast-in Template for Mounting Directly Over a 4" Recessed Outlet Box or use 1/2" Surface Conduit

OPTIONS

- (OCC) Motion sensor
- (EMR) Emergency battery backup
- (GLP) Prismatic flat glass lens
- (WC) Wireless controls



Model Number	INPUT POWER	LUMEN OUTPUT	SCOPTIC	COLOR TEMP (CCT)	CRI	RATED LIFE (L70)	INPUT VOLTAGE	INPUT FREQUENCY	HID Equivalent
CLW-310WP-5CLED	7W	757	1,211	5000K	70+	>200,000	120-277V	50/60HZ	35w HPS
CLW-310WP-10CLED	12W	1,376	2,201	5000K	70+	>200,000	120-277V	50/60HZ	50w HPS
CLW-310WP-15CLED	20W	1,918	3,068	5000K	70+	>200,000	120-277V	50/60HZ	70w HPS
CLW-310WP-21CLED	25W	3,102	4,963	5000K	70+	>200,000	120-277V	50/60HZ	100w HPS
CLW-310WP-30CLED	35W	4,128	6,604	5000K	70+	>200,000	120-277V	50/60HZ	150w MH
CLW-310WP-40CLED	45W	5,504	8,806	5000K	70+	>200,000	120-277V	50/60HZ	150w HPS

Ordering Guide

Example: (CLW-310WP-40CLED-50-MV-BZ-WC)

CLW-310WP					
MODEL	WATTS	COLOR TEMP	VOLTAGE	FINISH	OPTIONS
CLW-310WP	5W-5CLED 10W-10CLED 15W-15CLED 21W-21CLED 30W-30CLED 40W-40CLED	27-2700K 30-3000K 35-3500K 40-4000K 50-5000K 57-5700K 65-6500K	MV=120-277V 480-480V	BZ- BRONZE GRY-GRAY BLK-BLACK WH- WHITE CUS-CUSTOM	OCC- MOTION SENSOR EMR- EMR BATTERY GLP- PRISMATIC GLASS WC- WIRELESS CONTROL

Crystal Lighting Corporation - 13182 Flores St., Santa Fe Springs, Ca. 90670

Phone: 562-944-0223 - Fax: 562-944-0225 - WEB: www.crystallighting.us

Crystal Lighting is BUY AMERICAN compliant - All products are proudly manufactured and/or assembled in the USA