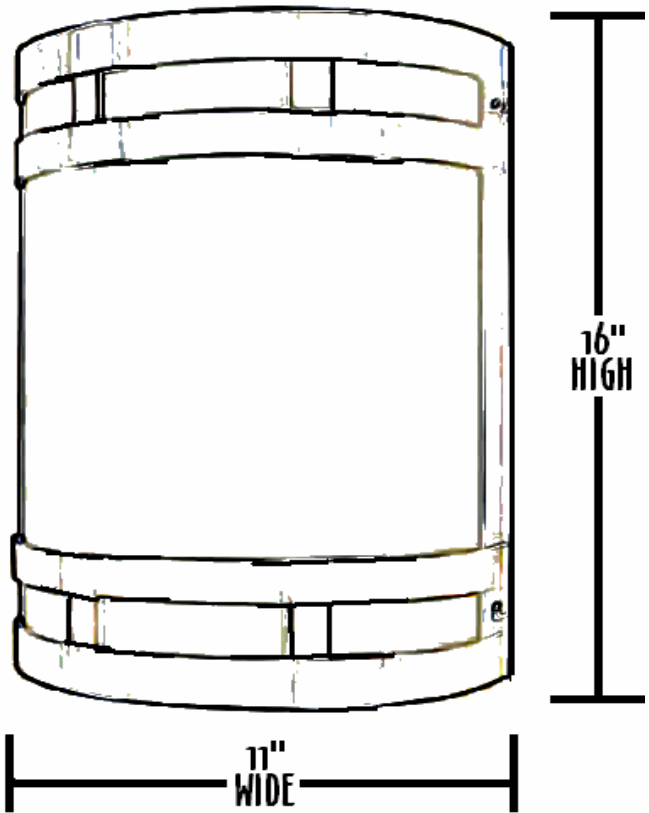


ACTUAL FIXTURE



FRONT VIEW



TOP VIEW



PROJECT NAME & LOCATION:	TYPE	UL LISTED SUITABLE FOR: DAMP LOCATION	CATALOG # LG-CL-09
	DATE:	LAMPING:	DIMENSIONS: 16" HIGH x 11" WIDE x 5" DEEP
CUSTOMER OR REP:	DRAWING BY: Cynthia J Noriega	STYLE: INTERIOR WALL MOUNT	FINISH:
APPROVED BY:	Any & all information appearing here is propriety & confidential. It may not be used without prior authorization of: CRYSTAL LIGHTING CORPORATION		LENS: OPAL ACRYLIC
			MATERIAL: ALUMINUM
			VOLTAGE: