

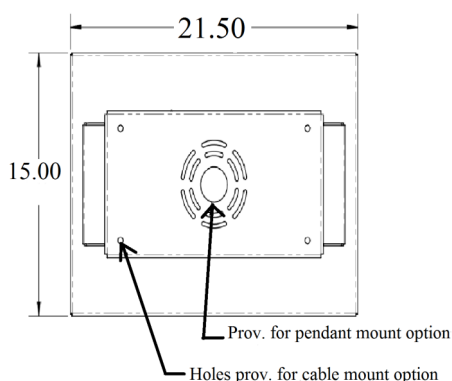
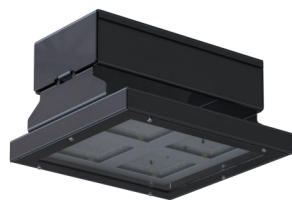


DATE	
PROJECT	
TYPE	
NOTE	
PREPARED BY	

LG-CLC-330HB

Industrial LED High Bay Light Fixture

Industrial LED high bay fixture, suitable for dry locations, designed to mount on ceilings up to 26 ft. heights in factories, foundries, machines shops, warehouse, large retail stores, gymnasiums and indoor sport arenas. This fixture has a wide light distribution. Comes with a 5 year/50,000 hour limited warranty.



FEATURES

- Energy Savings: Over 66% compared to HID light sources
- Improved lumen maintenance
- Utilizes high efficient LED's
- Operating temperatures: -30°C ~ 60°C
- Driver: Constant current, 120-277v, 50/60Hz, 480v (Optional)
- Suitable for wet locations
- Dimming, occupancy sensors, photo cell capable (optional)
- Operating Life: >60,000 hours

CONSTRUCTION

- Housing is heavy-duty aluminum
- Comes with hook to hang (standard), 3/4" threaded
- Powder coat finish
- Tempered glass lens (OPTIONAL)
- Silicone gasket to prevent leakage and provide weather-tight protection.

OPTIONS

- (OCC) Motion sensor
- (EMR) Emergency battery backup
- (GL) Glass Lens
- (L6-15P) 240v twist lock plug 3' cord
- (L7-15P) 277v twist lock plug 3' cord
- (3PC) 3 prong cord
- (L5-15P) 120v twist lock plug 3' cord



PHILIPS
LUMILEDS



Model Number	INPUT POWER	LUMEN OUTPUT	SCOPTIC	COLOR TEMP (CCT)	CRI	RATED LIFE (L70)	INPUT VOLTAGE	INPUT FREQUENCY	HID Equivalent
LG-CLC-330HB-120CLED	125W	16,522	26,419	5000K	70+	>200,000	120-277V	50/60HZ	400w HPS
LG-CLC-330HB-200CLED	215W	27,520	44,032	5000K	70+	>200,000	120-277V	50/60HZ	750w PSMH
LG-CLC-330HB-250CLED	265W	30,800	49,280	5000K	70+	>200,000	120-277V	50/60HZ	1000w MH
LG-CLC-330HB-300CLED	310W	38,900	64,185	5000K	70+	>200,000	120-277V	50/60HZ	1000w MH

Ordering Guide

Example: (LG-CLC-330HB-250CLED-50-MV-BZ-WC)

LG-CLC-330HB	MODEL	WATTS	COLOR TEMP	VOLTAGE	FINISH	OPTIONS
LG-CLC-330HB	120W-120CLED 200W-200CLED 250W-250CLED 300W-300CLED	120W-120CLED 200W-200CLED 250W-250CLED 300W-300CLED	27-2700K 30-3000K 35-3500K 40-4000K 50-5000K 57-5700K 65-6500K	MV=120-277V 480-480V	STANDARD: BZ- BRONZE ADD'L COST: GRY-GRAY BLK-BLACK WH- WHITE CUS-CUSTOM	OCC- MOTION SENSOR PC- BUTTON PHOTO CELL EMR- EMR BATTERY GS- GLARE SHIELD WC- WIRELESS CONTROL

Crystal Lighting Corporation - 13182 Flores St., Santa Fe Springs, Ca. 90670

Phone: 562-944-0223 - Fax: 562-944-0225 - WEB: www.crystallighting.us

Crystal Lighting is BUY AMERICAN compliant - All products are proudly manufactured and/or assembled in the USA