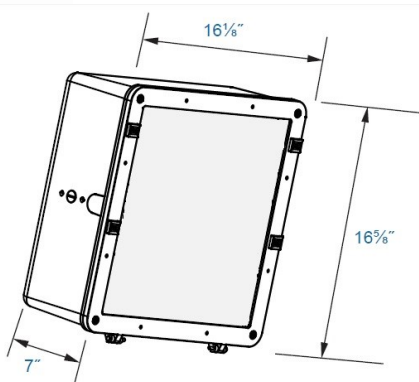




DATE	
PROJECT	
TYPE	
NOTE	
PREPARED BY	

LG-CLP-3040

16" LED AREA/FLOOD LIGHT SHOE BOX



16" sq. LED area or flood fixture, suitable for wet locations. Perfect for lighting up residential exteriors, walkways, entry ways, perimeters, storage areas, parking garages, school campuses, Industrial/commercial spaces, wall washer, parking lots, recreational parks. This fixture has a wide light distribution. Comes with a 5 year/50,000 hour limited warranty.

FEATURES

- Energy Savings: Over 66% compared to HID light sources
- Improved lumen maintenance
- Utilizes high efficient Phillips Lumiled LED's
- Operating temperatures: -30°C ~ 60°C
- Driver: Constant current, 120-277v, 50/60Hz, 480v (Optional)
- Suitable for wet locations
- Dimming, occupancy sensors, photo cell and wireless controls capable (optional)
- Operating Life: >60,000 hours

CONSTRUCTION

- Housing is heavy-duty die-cast aluminum & hinged front door frame.
- 1/2" Coin plugs with O-rings for conduit, sensors or photo cell
- Powder coat bronze finish (standard) various colors available (custom).
- Clear prismatic polycarbonate lens
- Silicone gasket to prevent leakage and provide weather-tight protection.
- Mounting: Mount with Extruded Mounting Arms or Direct Pole Mount Arm

OPTIONS

- (OCC) Motion sensor
- (PC) Button photo cell
- (EMR) Emergency battery backup
- (GS) Glare shield
- (AEA) Adjustable extruded arm
- (EA6) 6" extruded arm
- (EA10) 10" extruded arm
- (EA12) 12" extruded arm
- (EA18) 18" extruded arm
- (SF) slip fitter
- (SB) Swivel Bracket
- (EAWM) extruded arm wall mount



Model Number	INPUT POWER	LUMEN OUTPUT	SCOPTIC	COLOR TEMP (CCT)	CRI	RATED LIFE (L70)	INPUT VOLTAGE	INPUT FREQUENCY	HID Equivalent	DLC LISTED
LG-CLP-3040-20CLED	25W	2,750	4,530	5000K	70+	>200,000	120-277V	50/60HZ	100w MH	NO
LG-CLP-3040-40CLED	45W	5,504	8,806	5000K	70+	>200,000	120-277V	50/60HZ	150w HPS	NO
LG-CLP-3040-72LED	72W	5,173	8,276	4000K	70	>200,000	120-277V	50/60HZ	250w MH	YES
LG-CLP-3040-80CLED	85W	11,008	18,163	5000K	70+	>200,000	120-277V	50/60HZ	250w HPS	NO
LG-CLP-3040-100CLED	105W	11,926	19,081	5000K	70+	>200,000	120-277V	50/60HZ	400w PSMH	YES
LG-CLP-3040-120CLED	125W	16,512	26,419	5000K	70+	>200,000	120-277V	50/60HZ	400w HPS	NO

Ordering Guide

Example: (LG-CLP-3040-100CLED-50-MV-BZ-SB-WC)

MODEL	WATTS	COLOR TEMP	VOLTAGE	FINISH	MOUNTING	OPTIONS
LG-CLP-3040	20W-20CLED 40W-40CLED 72W-72LED 80W-80CLED 100W-100CLED 120W-120CLED	27-2700K 30-3000K 35-3500K 40-4000K 50-5000K 57-5700K 65-6500K	MV=120-277V 347-347V 480-480V	BZ- BRONZE GRY-GRAY BLK-BLACK WH- WHITE CUS-CUSTOM	AEA-ADJUSTABLE EXTRUDED ARM EA6- 6" EXTRUDED ARM EA10- 10" EXTRUDED ARM EA12-12" EXTRUDED ARM SF- SLIP FITTER SB- SWIVEL BRACKET EAWM-EXTRUDED ARM WALL MOUNT	OCC- MOTION SENSOR PC- BUTTON PHOTO CELL EMR- EMR BATTERY GS- GLARE SHIELD WC- WIRELESS CONTROL

Crystal Lighting Corporation - 13182 Flores St., Santa Fe Springs, Ca. 90670

Phone: 562-944-0223 - Fax: 562-944-0225 - WEB: www.crystallighting.us

Crystal Lighting is BUY AMERICAN compliant - All products are proudly manufactured and/or assembled in the USA