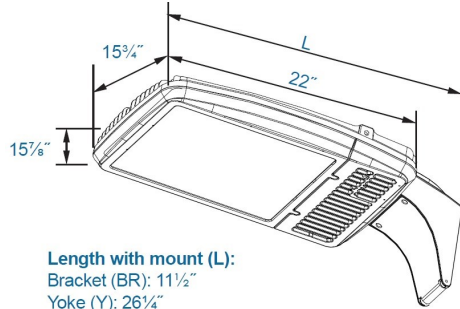


DATE	
PROJECT	
TYPE	
NOTE	
PREPARED BY	

LG-CLP-336AL

Large Architectural LED area light fixture



Length with mount (L):
 Bracket (BR): 11 1/2"
 Yoke (Y): 26 1/4"
 Slipfitter (SF): 29 1/4"
 Kitty Hawk Arm: 27 1/2"
 Mounting Arm Adaptor: 26 1/8"

Architectural LED area light fixture, suitable for wet locations. Perfect for lighting up residential exteriors, walkways, entry ways, perimeters, storage areas, school campuses, Industrial/commercial spaces, parking lots, recreational parks. This fixture has a wide light distribution. Comes with a 5 year/50,000 hour limited warranty.

FEATURES

- Energy Savings: Over 66% compared to HID light sources
- Improved lumen maintenance
- Utilizes high efficient Phillips Lumiled LED's
- Operating temperatures: -30°C ~ 60°C
- Driver: Constant current, 120-277v, 50/60Hz, 480v (Optional)
- Suitable for wet locations
- Dimming, occupancy sensors, photo cell and wireless controls capable (optional)
- Operating Life: >60,000 hours

CONSTRUCTION

- Housing is heavy-duty die-cast aluminum & hinged front door frame.
- 1/2" Coin plugs with O-rings for conduit, sensors or photo cell
- Powder coat bronze finish (standard) various colors available (custom).
- Clear glass lens standard, prismatic glass lens optional
- Silicone gasket to prevent leakage and provide weather-tight protection.
- Mounting: Mounts directly onto a flat poles, optional round pole or wall mount adapters available

OPTIONS

(OCC) Motion sensor	(SF) Slip fitter
(PC) Button photo cell	(SB) Swivel Bracket
(EMR) Emergency battery backup	(LY) Large Yoke
(GS) Glare shield	(MA) Pole mounting arm adaptor
(WC) Wireless controls	(KHA) Mounting arm
(PG) Prismatic glass	



Model Number	INPUT POWER	LUMEN OUTPUT	SCOPTIC	COLOR TEMP (CCT)	CRI	RATED LIFE (L70)	INPUT VOLTAGE	INPUT FREQUENCY	HID Equivalent
LG-CLP-336FAL-120CLEd	125W	16,522	26,419	5000K	70+	>200,000	120-277V	50/60HZ	400w HPS
LG-CLP-336FAL-200CLEd	215W	27,520	44,032	5000K	70+	>200,000	120-277V	50/60HZ	750w PSMH
LG-CLP-336FAL-250CLEd	265W	23,978	38,367	5000K	70+	>200,000	120-277V	50/60HZ	1000w MH
LG-CLP-336FAL-300CLEd	305w	38,370	61,410	5000K	70+	>200,000	120-277V	50/60HZ	1000w HPS

Ordering Guide

Example: (LG-CLP-336AL-200CLEd-50-MV-BZ-SF-WC)

MODEL	WATTS	COLOR TEMP	VOLTAGE	FINISH	MOUNTING	OPTIONS
LG-CLP-336AL						
LG-CLP-336AL	120W-120CLEd 200W-200CLEd 250W-250CLEd 300W-300CLEd	27-2700K 30-3000K 35-3500K 40-4000K 50-5000K 57-5700K 65-6500K	MV=120-277V 480-480V	BZ- BRONZE GRY-GRAY BLK-BLACK WH- WHITE CUS-CUSTOM	SB—Swivel bracket (small yoke) SF— Slip fitter LY—Large yoke MA—Pole mounting arm adaptor KHA—Mounting arm	OCC— Motion sensor PC—Button photo cell EMR—Emergency battery backup GS—Glare shield WC—Wireless controls PG—Prismatic glass