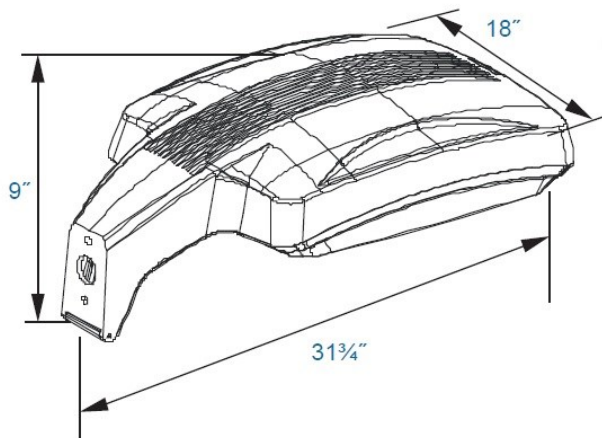




DATE	
PROJECT	
TYPE	
NOTE	
PREPARED BY	

LG-CLP-KH

Architectural LED area light fixture



Architectural LED area light fixture, suitable for wet locations. Perfect for lighting up residential exteriors, walkways, entry ways, perimeters, storage areas, parking garages, school campuses, Industrial/commercial spaces, wall washer, parking lots, recreational parks. This fixture has a wide light distribution. Comes with a 5 year/50,000 hour limited warranty.

FEATURES

- Energy Savings: Over 66% compared to HID light sources
- Improved lumen maintenance
- Utilizes high efficient Phillips Lumiled LED's
- Operating temperatures: -30°C ~ 60°C
- Driver: Constant current, 120-277v, 50/60Hz, 480v (Optional)
- Suitable for wet locations
- Dimming, occupancy sensors, photo cell and wireless controls capable (optional)
- Operating Life: >60,000 hours

CONSTRUCTION

- Housing is heavy-duty die-cast aluminum & hinged front door frame.
- 1/2" Coin plugs with O-rings for conduit, sensors or photo cell
- Powder coat bronze finish (standard) various colors available (custom).
- Clear glass lens standard, prismatic glass lens optional
- Silicone gasket to prevent leakage and provide weather-tight protection.
- Mounting: Mounts directly onto a flat poles, optional round pole or wall mount adapters available

OPTIONS

- (OCC) Motion sensor
- (PC) Button photo cell
- (EMR) Emergency battery backup
- (GS) Glare shield
- (WC) Wireless controls
- (PG) Prismatic glass



Model Number	INPUT POWER	LUMEN OUTPUT	SCOPTIC	COLOR TEMP (CCT)	CRI	RATED LIFE (L70)	INPUT VOLTAGE	INPUT FREQUENCY	HID Equivalent
LG-CLP-KH-60CLED	65W	8,256	13,622	5000K	70+	>200,000	120-277V	50/60HZ	250w PSMH
LG-CLP-KH-80CLED	85W	11,008	18,163	5000K	70+	>200,000	120-277V	50/60HZ	250w HPS
LG-CLP-KH-100CLED	105W	11,926	19,081	5000K	70+	>200,000	120-277V	50/60HZ	400w PSMH
LG-CLP-KH-120CLED	125W	16,512	26,419	5000K	70+	>200,000	120-277V	50/60HZ	400w HPS

Ordering Guide

Example: (LG-CLP-KH-80CLED-50-MV-BZ-WC)

MODEL	WATTS	COLOR TEMP	VOLTAGE	FINISH	OPTIONS
LG-CLP-KH	60W-60CLED 80W-80CLED 100W-100CLED 120W-120CLED	27-2700K 30-3000K 35-3500K 40-4000K 50-5000K 57-5700K 65-6500K	MV=120-277V 480-480V	BZ- BRONZE GRY-GRAY BLK-BLACK WH- WHITE CUS-CUSTOM	OCC- MOTION SENSOR PC- BUTTON PHOTO CELL EMR- EMR BATTERY GS- GLARE SHIELD PG- PRISMATIC GLASS WC- WIRELESS CONTROL

Crystal Lighting Corporation - 13182 Flores St., Santa Fe Springs, Ca. 90670

Phone: 562-944-0223 - Fax: 562-944-0225 - WEB: www.crystallighting.us

Crystal Lighting is BUY AMERICAN compliant - All products are proudly manufactured and/or assembled in the USA