

DATE	
PROJECT	
TYPE	
NOTE	
PREPARED BY	

LG-CLW-3032

Large LED Flood light



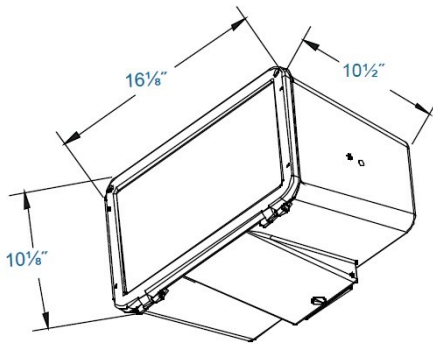
Large LED Flood light fixture, suitable for wet locations, Perfect for lighting up commercial landscape, walkways, entry ways, perimeters, school campuses, industrial/commercial spaces, sign lighter. This fixture has a wide rectangular light distribution. Comes with a 5 year/50,000 hour limited warranty.

FEATURES

- Energy Savings: Over 66% compared to HID light sources
- Improved lumen maintenance
- Utilizes high efficient Phillips Lumiled LED's
- Operating temperatures: -30°C ~ 60°C
- Driver: Constant current, 120-277v, 50/60Hz, 480v (Optional)
- Suitable for wet locations
- Dimming, occupancy sensors, photo cell capable (optional)
- Operating Life: >60,000 hours

CONSTRUCTION

- Housing is heavy-duty die-cast aluminum
- 1/2" Coin plugs with O-rings for conduit, sensors or photo cell
- Powder coat **bronze finish (standard)** various colors available (custom).
- Clear tempered glass lens
- Silicone gasket to prevent leakage and provide weather-tight protection.
- Mounting: Several mounting options, see below



OPTIONS

- (PC) Button photo cell
- (WG) Wire guard stainless steel
- (GS) Glare shield
- (SF) Slip fitter
- (SY) Small yoke
- (LY) Large yoke
- (TM) Pole tenon mount
- (PG) Polycarbonate guard
- (WC) Wireless Control



Model Number	INPUT POWER	LUMEN OUTPUT	SCOPTIC	COLOR TEMP (CCT)	CRI	RATED LIFE (L70)	INPUT VOLTAGE	INPUT FREQUENCY	HID Equivalent	DLC LISTED
LG-CLW-3032-20CLED	25W	2,750	4,530	5000K	70+	>200,000	120-277V	50/60HZ	100w MH	NO
LG-CLW-3032-54LED	56W	4,854	7,766	4000K	60+	>200,000	120-277V	50/60HZ	175w MH	YES
LG-CLW-3032-60CLED	65W	8,256	13,622	5000K	70+	>200,000	120-277V	50/60HZ	250w PSMH	NO
LG-CLW-3032-80CLED	85W	11,008	18,163	5000K	70+	>200,000	120-277V	50/60HZ	250w HPS	NO
LG-CLW-3032-100CLED	105W	13,760	22,704	5000K	70+	>200,000	120-277V	50/60HZ	400w PSMH	PENDING

Ordering Guide

Example: (LG-CLW-3032-40CLED-50-MV-BZ-SF)

LG-CLW-3032	MODEL	WATTS	COLOR TEMP	VOLTAGE	FINISH	OPTIONS
LG-CLW-3032	20W-20CLED 54W-54LED 60W-60CLED 80W-80LED 100W-100CLED	27-2700K 30-3000K 35-3500K 40-4000K 50-5000K 57-5700K 65-6500K	MV=120-277V 480-480V	BZ- BRONZE GRY-GRAY BLK-BLACK WH- WHITE CUS-CUSTOM	PC- BUTTON PHOTOCELL WG- WIRE GUARD GS- GLARE SHIELD SF- SLIP FITTER SY- SMALL YOKE LY- LARGE YOKE TM- POLE TENON MOUNT WC- WIRELESS CONTROL	

Crystal Lighting Corporation - 13182 Flores St., Santa Fe Springs, Ca. 90670

Phone: 562-944-0223 - Fax: 562-944-0225 - WEB: www.crystallighting.us

Crystal Lighting is BUY AMERICAN compliant - All products are proudly manufactured and/or assembled in the USA