

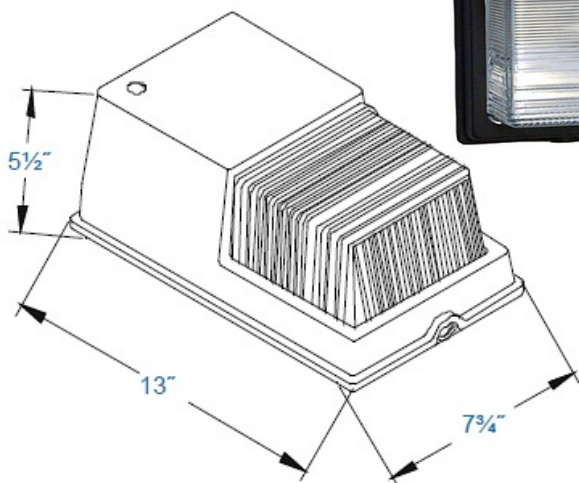
|             |  |
|-------------|--|
| DATE        |  |
| PROJECT     |  |
| TYPE        |  |
| NOTE        |  |
| PREPARED BY |  |

## LG-CLW-3037

## Tall mini LED WALLPACK



Tall mini LED wallpack fixture, Suitable for wet locations. Perfect for lighting up residential exteriors, walkways, entry ways, perimeters, storage areas, parking garages, school campuses, Industrial/commercial spaces, recreational parks. This fixture has a wide light distribution. Comes with a 5 year/50,000 hour limited warranty.



### FEATURES

- Energy Savings: Over 66% compared to HID light sources
- Improved lumen maintenance
- Utilizes high efficient Phillips Lumiled LED's
- Operating temperatures: -30°C ~ 60°C
- Driver: Constant current, 120-277v, 50/60Hz, 480v (Optional)
- Suitable for wet locations
- Dimming, occupancy sensors, photo cell (optional)
- Operating Life: >60,000 hours

### CONSTRUCTION

- Housing is heavy-duty die-cast aluminum.
- 1/2" Coin plugs with O-rings for conduit, sensors or photo cell
- Powder coat bronze finish (standard) various colors available (custom).
- Clear borosilicate glass lens
- Silicone gasket to prevent leakage and provide weather-tight protection.
- Mounting: Cast-in Template for Mounting Directly Over a 4" Recessed Outlet Box or use 1/2" Surface Conduit

### OPTIONS

- (PC) Button photo cell
- (WG) Wire Guard
- (WC) Wireless controls



PHILIPS  
LUMILEDS

Buy American Compliant

| Model Number       | INPUT POWER | LUMEN OUTPUT | SCOPTIC | COLOR TEMP (CCT) | CRI | RATED LIFE (L70) | INPUT VOLTAGE | INPUT FREQUENCY | HID Equivalent |
|--------------------|-------------|--------------|---------|------------------|-----|------------------|---------------|-----------------|----------------|
| LG-CLW-3037-5CLED  | 7W          | 757          | 1,211   | 5000K            | 70+ | >200,000         | 120-277V      | 50/60HZ         | 35w HPS        |
| LG-CLW-3037-10CLED | 12W         | 1,376        | 2,201   | 5000K            | 70+ | >200,000         | 120-277V      | 50/60HZ         | 50w HPS        |
| LG-CLW-3037-15CLED | 20W         | 1,918        | 3,068   | 5000K            | 70+ | >200,000         | 120-277V      | 50/60HZ         | 70w HPS        |
| LG-CLW-3037-21CLED | 25W         | 3,102        | 4,963   | 5000K            | 70+ | >200,000         | 120-277V      | 50/60HZ         | 100w HPS       |
| LG-CLW-3037-40CLED | 45W         | 5,504        | 8,806   | 5000K            | 70+ | >200,000         | 120-277V      | 50/60HZ         | 150w HPS       |

### Ordering Guide

Example: (LG-CLW-3037-40CLED-50-MV-BZ-PC)

| LG-CLW-3037 |  |  |                         |  |   |
|-------------|--|--|-------------------------|--|---|
| MODEL       | WATTS  | COLOR TEMP   | VOLTAGE                 | FINISH   | OPTIONS   |
| LG-CLW-3037 | 5W-5CLED<br>10W-10CLED<br>15W-15CLED<br>21W-21CLED<br>40W-40CLED | 27-2700K<br>30-3000K<br>35-3500K<br>40-4000K<br>50-5000K<br>57-5700K<br>65-6500K | MV=120-277V<br>480-480V | BZ- BRONZE<br>GRY-GRAY<br>BLK-BLACK<br>WH- WHITE<br>CUS-CUSTOM | PC- BUTTON PHOTOCCELL<br>WG- WIRE GUARD<br>WC- WIRELESS CONTROL |

Crystal Lighting Corporation - 13182 Flores St., Santa Fe Springs, Ca. 90670

Phone: 562-944-0223 - Fax: 562-944-0225 - WEB: [www.crystallighting.us](http://www.crystallighting.us)

Crystal Lighting is BUY AMERICAN compliant - All products are proudly manufactured and/or assembled in the USA