



| | |
|-------------|--|
| DATE | |
| PROJECT | |
| TYPE | |
| NOTE | |
| PREPARED BY | |

MD-CLP-330FAL

Medium LED AREA/FLOOD light

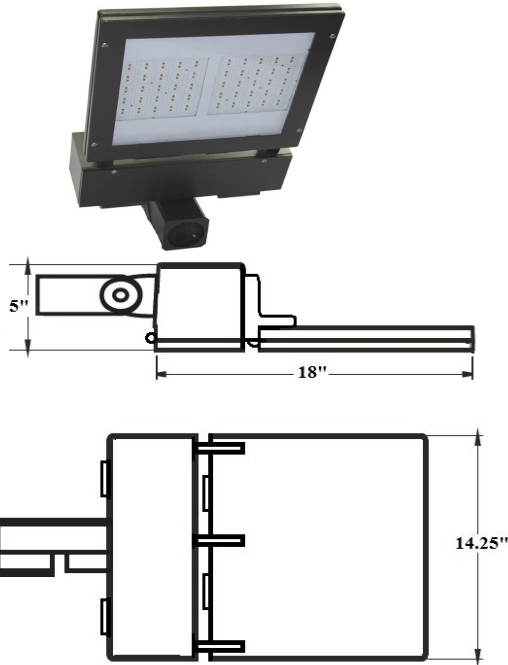
Medium LED area or flood fixture, suitable for wet locations. Perfect for lighting up residential exteriors, walkways, entry ways, perimeters, storage areas, parking garages, school campuses, Industrial/commercial spaces, wall washer, parking lots, recreational parks. This fixture has a wide light distribution. Comes with a 5 year/50,000 hour limited warranty.

FEATURES

- Energy Savings: Over 66% compared to HID light sources
- Improved lumen maintenance
- Utilizes high efficient Phillips Lumiled LED's
- Operating temperatures: -30°C ~ 60°C
- Driver: Constant current, 120-277v, 50/60Hz, 480v (Optional)
- Suitable for wet locations
- Dimming, occupancy sensors, photo cell and wireless controls capable (optional)
- Operating Life: >60,000 hours

CONSTRUCTION

- Housing is heavy-duty die-cast aluminum & hinged front door frame.
- 1/2" Coin plugs with O-rings for conduit, sensors or photo cell
- Powder coat bronze finish (standard) various colors available (custom).
- Clear prismatic polycarbonate lens
- Silicone gasket to prevent leakage and provide weather-tight protection.
- Mounting: Mount with Extruded Mounting Arms or Direct Pole Mount Arm



OPTIONS

- (OCC) Motion sensor
- (PC) Button photo cell
- (EMR) Emergency battery backup
- (GS) Glare shield
- (AEA) Adjustable extruded arm
- (EA6) 6" extruded arm
- (EA10) 10" extruded arm
- (EA12) 12" extruded arm
- (EA18) 18" extruded arm
- (SF) slip fitter
- (SB) Swivel Bracket
- (EAWM) extruded arm wall mount



| Model Number | INPUT POWER | LUMEN OUTPUT | SCOPTIC | COLOR TEMP (CCT) | CRI | RATED LIFE (L70) | INPUT VOLTAGE | INPUT FREQUENCY | HID Equivalent |
|-----------------------|-------------|--------------|---------|------------------|-----|------------------|---------------|-----------------|----------------|
| MD-CLP-330FAL-80CLED | 85W | 11,008 | 18,163 | 5000K | 70+ | >200,000 | 120-277V | 50/60HZ | 250w HPS |
| MD-CLP-330FAL-100CLED | 105W | 11,926 | 19,081 | 5000K | 70+ | >200,000 | 120-277V | 50/60HZ | 400w PSMH |
| MD-CLP-330FAL-120CLED | 125W | 16,522 | 26,419 | 5000K | 70+ | >200,000 | 120-277V | 50/60HZ | 400w HPS |
| MD-CLP-330FAL-150CLED | 156W | 19,500 | 31,200 | 5000K | 70+ | >200,000 | 120-277V | 50/60HZ | 400w HPS |

Ordering Guide

Example: (MD-CLP-330FAL-80CLED-50-MV-BZ-SB-WC)

| MODEL | WATTS | COLOR TEMP | VOLTAGE | FINISH | MOUNTING | OPTIONS |
|---------------|--|---|-------------------------|--|---|---|
| MD-CLP-330FAL | 80W-80CLED 100W-100CLED 120W-120CLED | 27-2700K 30-3000K 35-3500K 40-4000K 50-5000K 57-5700K 65-6500K | MV=120-277V 480-480V | BZ- BRONZE GRY-GRAY BLK-BLACK WH- WHITE CUS-CUSTOM | AEA-ADJUSTABLE EXTRUDED ARM EA6- 6" EXTRUDED ARM EA10- 10" EXTRUDED ARM EA12-12" EXTRUDED ARM SF- SLIP FITTER SB- SWIVEL BRACKET EAWM-EXTRUDED ARM WALL MOUNT | OCC- MOTION SENSOR PC- BUTTON PHOTO CELL EMR- EMR BATTERY GS- GLARE SHIELD WC- WIRELESS CONTROL |

Crystal Lighting Corporation - 13182 Flores St., Santa Fe Springs, Ca. 90670

Phone: 562-944-0223 - Fax: 562-944-0225 - WEB: www.crystallighting.us

Crystal Lighting is BUY AMERICAN compliant - All products are proudly manufactured and/or assembled in the USA